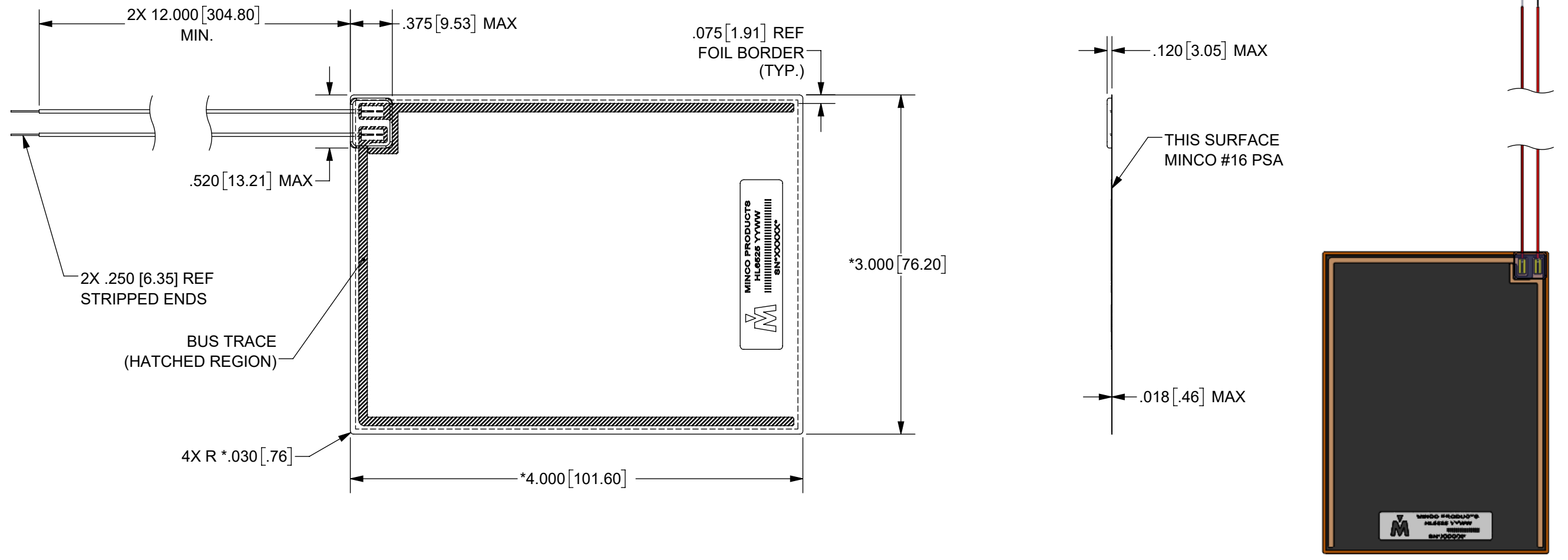

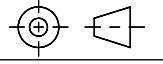


REVISIONS

REV.	DESCRIPTION	DATE	E.C.O. NUMBER	DRAFTER	ENGR
A	INCREASE MAX POTTING HEIGHT	8/2/2021	3157249	JS 103020	JS 103020
B	REMOVED "(BLUE IN COLOR)" FROM NOTE 6	5/2/2024	3503986	CK 103335	TDV 2167



- NOTES:
- ELEMENT: COPPER ONE SIDE, PARALLEL TRACE ARRANGEMENT.
 - HEATER NOMINAL VOLTAGE: 48V AC/DC.
 - SAFETY TEMPERATURE: 80°C.
 - NON-OPERATIONAL TEMPERATURE LIMIT: 100°C MAXIMUM.
 - LEADWIRE: AWG #24, STRANDED, RED, TEFLON INSULATED, PER NEMA HP3.
 - LEADWIRE ENCAPSULATION: UV CURE URETHANE.
 - INSULATION: POLYIMIDE.
 - DIELECTRIC STRENGTH: 1200 VOLTS RMS AT 60 Hz FOR 1 SECOND MINIMUM, ELEMENT TO OUTER SURFACES.
 - DIMENSIONS PRECEDED BY * ARE CONTROLLED BY ENGINEERING DESIGN AND TOOLING.
 - PART IS RoHS COMPLIANT.

APPLICABLE STANDARDS: ASME Y14.5M-2009: DIMENSIONING AND TOLERANCING			 WWW.MINCO.COM									
STANDARD TOLERANCES UNLESS OTHERWISE SPECIFIED DIMENSIONS ARE IN INCHES. DIMENSIONS IN [] ARE MILLIMETERS												
<table border="1"> <thead> <tr> <th>INCH</th> <th>mm</th> </tr> </thead> <tbody> <tr> <td>.X ±.100</td> <td>X ±2.54</td> </tr> <tr> <td>.XX ±.030</td> <td>.X ±0.76</td> </tr> <tr> <td>.XXX ±.015</td> <td>.XX ±0.38</td> </tr> </tbody> </table>		INCH	mm	.X ±.100	X ±2.54	.XX ±.030	.X ±0.76	.XXX ±.015	.XX ±0.38	COMPANY CONFIDENTIAL PROPRIETARY INFORMATION OF MINCO PRODUCTS, INC. DO NOT DUPLICATE		
INCH	mm											
.X ±.100	X ±2.54											
.XX ±.030	.X ±0.76											
.XXX ±.015	.XX ±0.38											
ANGLES ±2° ALL DIMENSIONS INCLUDE ANY SURFACE TREATMENTS.												
MATERIAL SEE NOTES		APPROVALS		DATE		TITLE						
FINISH N/A		DRAWN DD 1996		1/09/2020		THERMOFOIL HEATER						
SURFACE TREATMENTS N/A		CHECKER JS 103020		3/25/2020				DRAWING NUMBER HL6525				
		ENGINEER JW 103022		3/25/2020		REV/VER B						
		APPROVER		THIRD ANGLE PROJECTION 		SHEET 1 OF 1						
		USED ON		CAGE IDENT 09359		DRAWING NOT TO SCALE						

SOLIDWORKS