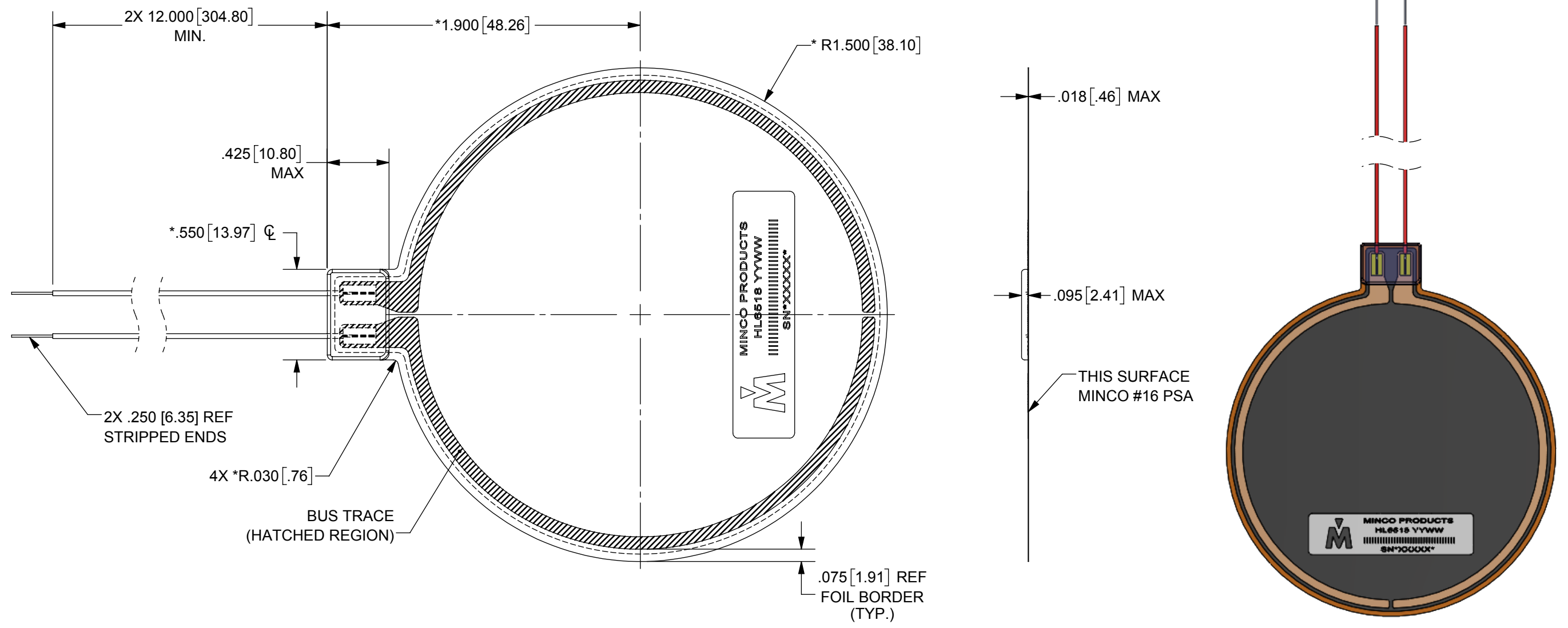


8 7 6 5 4 3 2 1

REVISIONS

REV.	DESCRIPTION	DATE	E.C.O. NUMBER	DRAFTER	ENGR
------	-------------	------	---------------	---------	------



- NOTES:
1. ELEMENT: COPPER ONE SIDE, PARALLEL TRACE ARRANGEMENT.
 2. HEATER NOMINAL VOLTAGE: 12V AC/DC.
 3. SAFETY TEMPERATURE: 80°C.
 4. NON-OPERATIONAL TEMPERATURE LIMIT: 100°C MAXIMUM.
 5. LEADWIRE: AWG #24, STRANDED, RED, TEFLON INSULATED, PER NEMA HP3.
 6. LEADWIRE ENCAPSULATION: UV CURE URETHANE (BLUE IN COLOR).
 7. INSULATION: POLYIMIDE.
 8. DIELECTRIC STRENGTH: 1200 VOLTS RMS AT 60 Hz FOR 1 SECOND MINIMUM, ELEMENT TO OUTER SURFACES.
 9. DIMENSIONS PRECEDED BY * ARE CONTROLLED BY ENGINEERING DESIGN AND TOOLING.
 10. PART IS RoHS COMPLIANT.

APPLICABLE STANDARDS: ASME Y14.5M-2009: DIMENSIONING AND TOLERANCING	
STANDARD TOLERANCES UNLESS OTHERWISE SPECIFIED DIMENSIONS ARE IN INCHES. DIMENSIONS IN [] ARE MILLIMETERS	
INCH	mm
.X ±.100	X ±2.54
.XX ±.030	.X ±0.76
.XXX ±.015	.XX ±0.38
ANGLES ±2°	
ALL DIMENSIONS INCLUDE ANY SURFACE TREATMENTS.	
MATERIAL SEE NOTES	ENGINEER JDW 103022
FINISH N/A	APPROVER JDW 103022
SURFACE TREATMENTS N/A	USED ON N/A

MINCO
WWW.MINCO.COM

COMPANY CONFIDENTIAL PROPRIETARY INFORMATION OF MINCO PRODUCTS, INC. DO NOT DUPLICATE

APPROVALS	DATE	TITLE
DRAWN MPL 103010	10/7/2016	THERMOFOIL HEATER
CHECKER JTS 103020	10/10/2016	
ENGINEER JDW 103022	3/01/2017	

DRAWING NUMBER HL6518		REV/VER -
DRAWING NOT TO SCALE		SHEET 1 OF 1

THIRD ANGLE PROJECTION

 DWG SIZE **B**

8 7 6 5 4 3 2 1

SOLIDWORKS

A