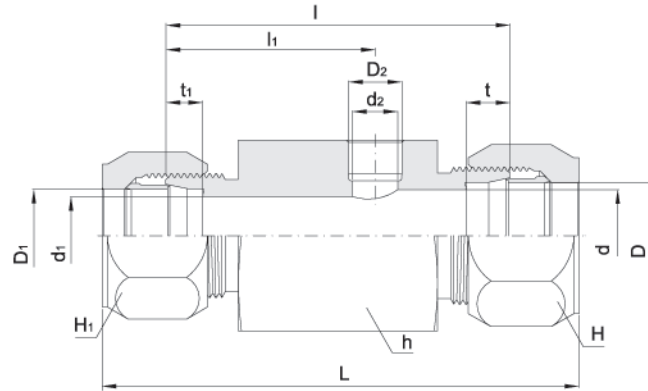
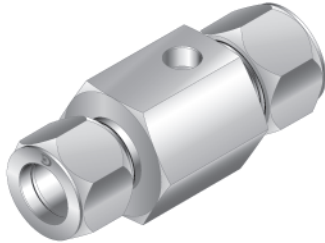


Tee Type Reducing Union

BUTSW



Basic Part Number	Tube O.D			*d	*d ₁	*d ₂	Width across flat			t	t ₁	l ₁	l	Approx L
	D	D ₁	D ₂				h	H	H ₁					
BUTSW12T-6T	19.1	19.10	9.53	15.8	15.8	7.7	36	31.7	31.7	8.89	8.89	50.5	83.0	111.4
BUTSW14T-6T	22.2	22.20	9.53	19.3	19.3	7.7	36	34.9	34.9	8.89	8.89	50.5	83.0	110.0
BUTSW16T-6T	25.4	25.40	9.53	22.1	22.1	7.7	36	38.1	38.1	10.54	10.54	50.5	83.0	116.6
BUTSW20T-6T	31.8	31.80	9.53	27.5	27.5	7.7	46	50.8	50.8	10.54	10.54	50.5	83.0	119.6
BUTSW20T-8T	31.8	31.80	12.7	27.5	27.5	10.9	50	50.8	50.8	10.54	10.54	50.5	83.0	119.6
BUTSW24T-6T	38.1	38.10	9.53	33.9	33.9	7.7	50	57.1	57.1	12.32	12.32	50.5	83.0	119.6
BUTSW8T-6T-6T	12.7	9.53	9.53	10.9	7.7	7.7	36	22.2	17.4	7.75	6.35	45.0	74.0	98.6
BUTSW10T-6T-6T	15.8	9.53	9.53	13.4	7.7	7.7	36	25.4	17.4	8.89	6.35	45.0	75.0	100.4
BUTSW10T-8T-6T	15.8	12.70	9.53	13.4	10.9	7.7	36	25.4	22.2	8.89	7.75	48.2	78.2	104.4
BUTSW12T-10T-6T	19.1	15.80	9.53	15.8	13.4	7.7	36	31.7	25.4	8.89	8.89	49.0	82.0	109.7
BUTSW14T-12T-6T	22.2	19.05	9.53	19.3	15.8	7.7	36	34.9	31.7	8.89	8.89	50.5	83.0	110.7
BUTSW16T-14T-6T	25.4	22.20	9.53	22.1	19.3	7.7	36	38.1	34.9	10.54	8.89	50.5	83.0	113.3
BUTSW20T-16T-6T	31.8	25.40	9.53	27.5	22.1	7.7	46	50.8	38.1	10.54	10.54	50.5	83.0	118.1
BUTSW24T-20T-6T	38.1	25.40	9.53	33.9	27.5	7.7	50	57.1	50.8	12.32	10.54	50.5	83.0	119.6

* Part 'd' can be changed according to buyer's tube specification.
 Assembly instruction refers to the catalog number H-220TF.

Dimensions are reference only, subject to change.