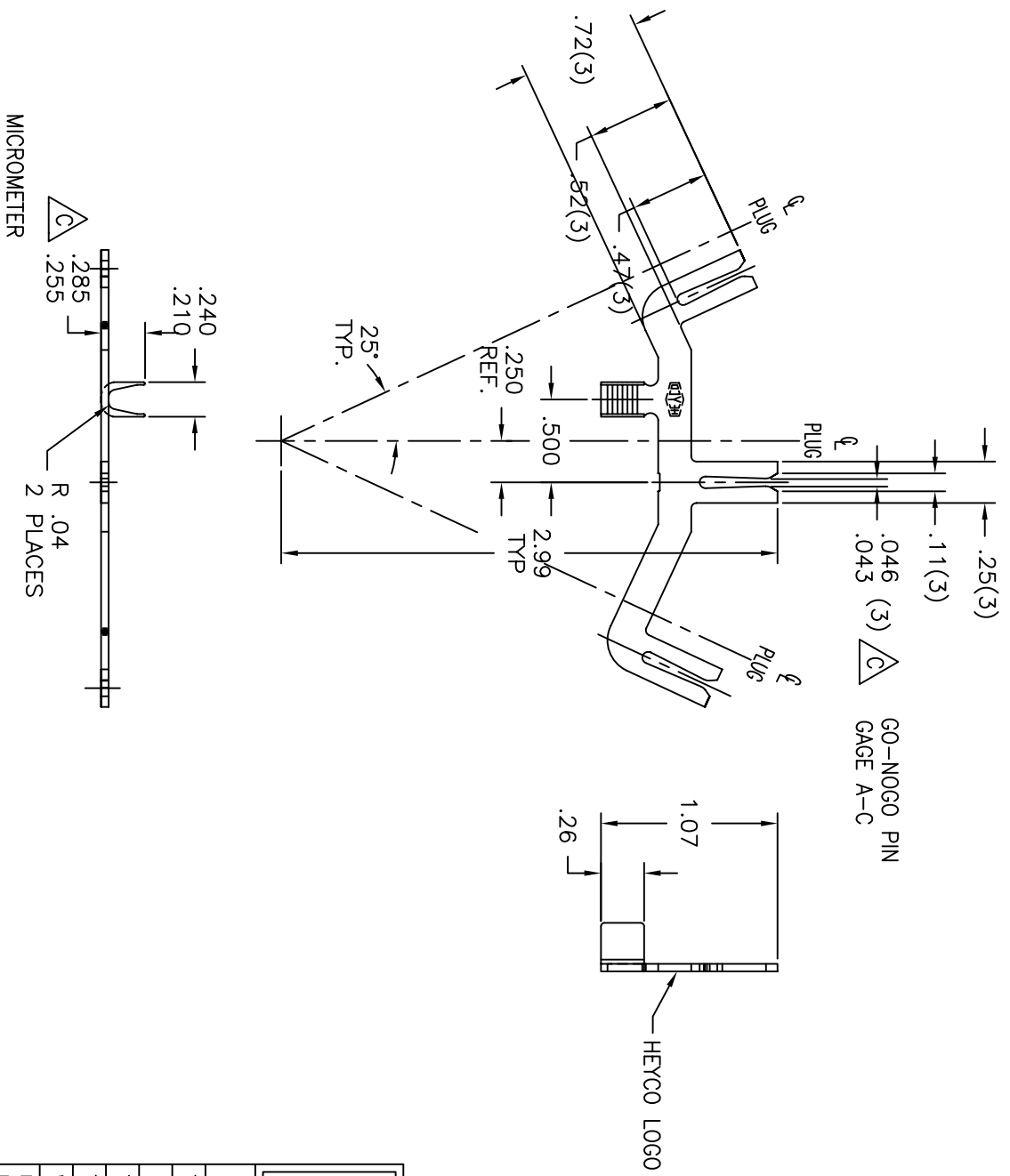


NOTES:

1.) $\triangle C$ CRITICAL DIMENSION TO BE CHECKED AS PART OF THE IN-PROCESS INSPECTION (SPC).



PATENTED

HEYCO
 HEYCO PRODUCTS, INC.
 TOMS RIVER, NEW JERSEY
 (732) 286-1800 FAX (732) 244-8843

PART DRAWING

TOLERANCES +/-: .XX=.01 .XXX=.005 ANG.=2°	
MATL: BRASS	FINISH:
THICK: .045	
TOOLING:	
WIRE RANGE (AWG): 16-12	
DRAWN: SMH	REVISED: MEG
DATE: 6/7/93	DATE: 06/04/01
	APPROVED:
	DATE:

TRI-TAP BLADE FEMALE

DESCRIPTION

8070	8070-000	C
PART NUMBER	CATALOG NUMBER	REVISION