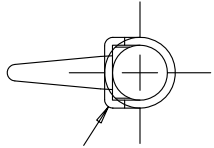
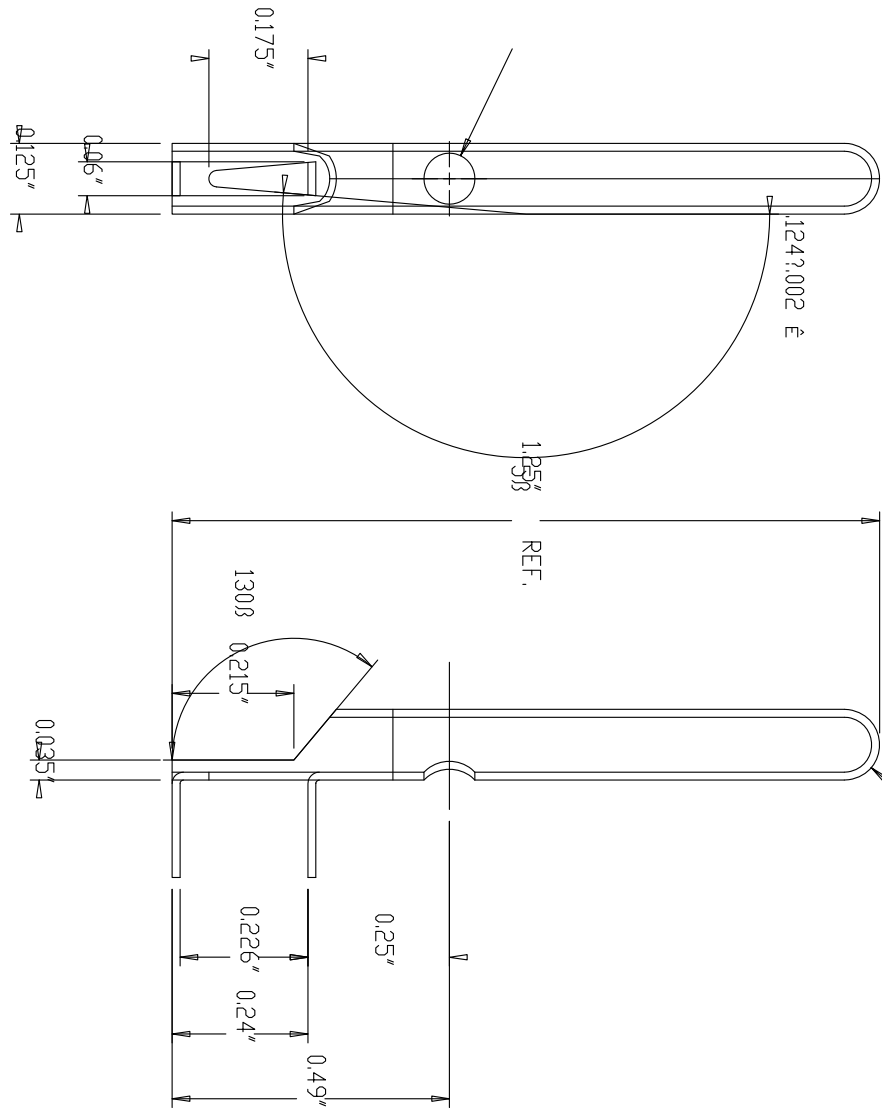


0.062" SPHERICAL R



PRIVY 60
 STAMPED PRODUCTS, INC.
 TOMS RIVER, NEW JERSEY
 (908) 286-1800 FAX (908) 244-8843

PART DRAWING

TOLERANCES +/-: .XX=.01 .XXX=.005 ANG.=28

MATL: BRASS FINISH: PRE TIN

THICK: .014 WIRE STRIP LENGTH:

WIRE RANGE (AWG):

TOOLING: UNIV. DIE - , PUNCH - , ANVIL -

DIE BASE - , PUNCHES - , ANVILS -

DRAWN: SVH	REVISED: SVH	APPROVED:
DATE: 10/18/96	DATE: 04/28/97	DATE:

P-125 BLK-83804-000
 DESCRIPTION

8050	8050-010	D
PART NUMBER	CATALOG NUMBER	REVISION