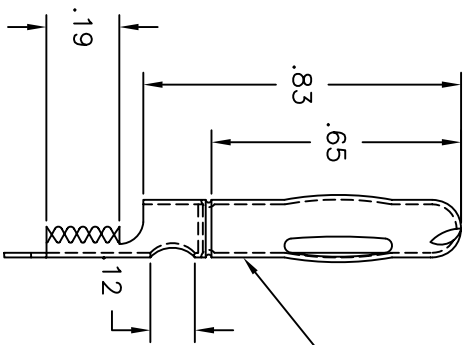
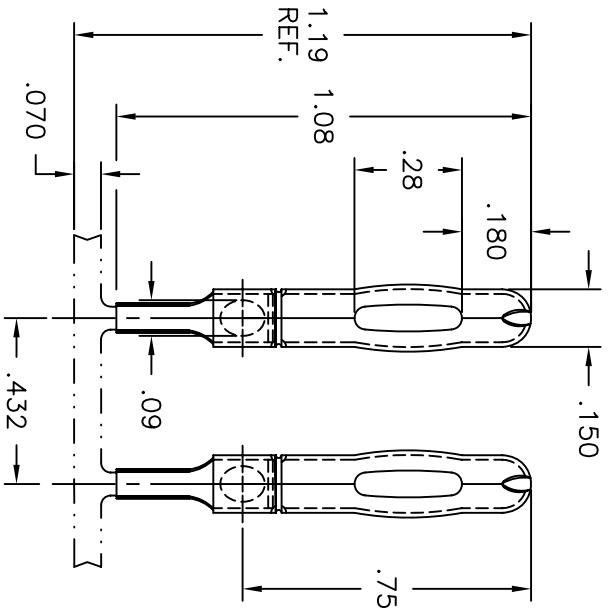


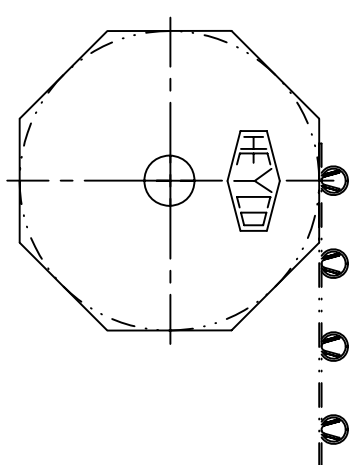
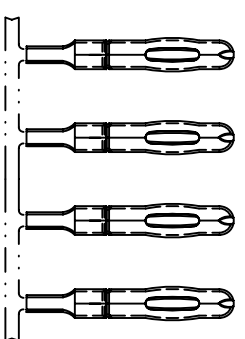
NOTE:

1.) Δ CRITICAL DIMENSION TO BE CHECKED AS PART OF THE IN-PROCESS INSPECTION (SPC).



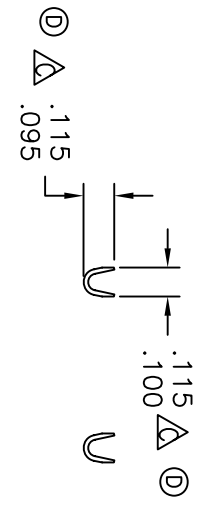
⑥

"HEYCO" LOGO

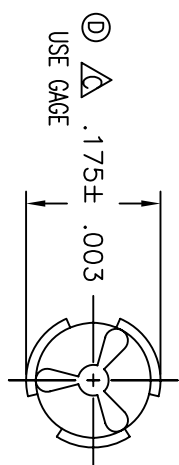


UNWINDING INFORMATION

FEED FROM LEFT TO RIGHT
CRIMP IN FRONT & UPRIGHT



VIEW: CRIMPS



VIEW: BARREL END
SCALE: 4=1

TOLERANCE UNLESS OTHERWISE SPECIFIED: .XX ± 0.015 .XXX ± 0.005 ANGULAR ± 1.0 °

MATERIAL:	BRASS	HEYCO PRODUCTS, INC. TOMS RIVER, NEW JERSEY	DESCRIPTION: CATALOG DRAWING	8033
FINISH: POST NICKEL			8032-021	
THICKNESS: .012			VE MED PIN NICKEL	
			WIRE RANGE: 26-22 AWG	
			WIRE STRIP LENGTH:	
				PART No.
				REV.: 6

HEYCO PRODUCTS, INC. claims proprietary rights to the material disclosed herein. This drawing and/or technical information is the property of HEYCO PRODUCTS, INC. It may not be reproduced or described or shown to others without written permission from HEYCO PRODUCTS, INC.