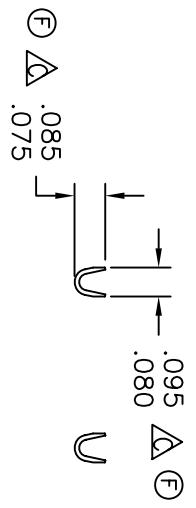
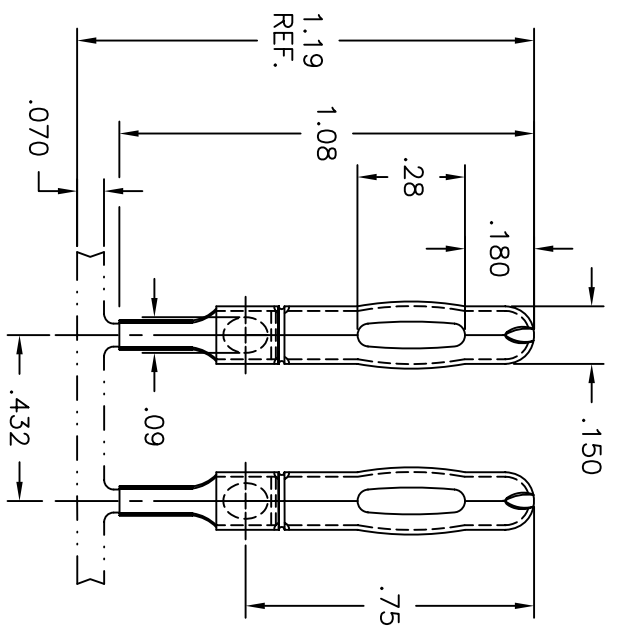
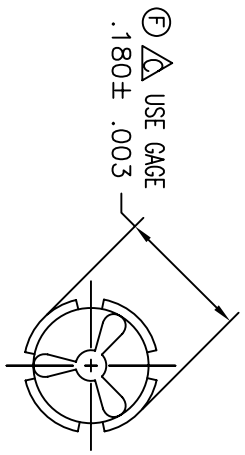


NOTE:

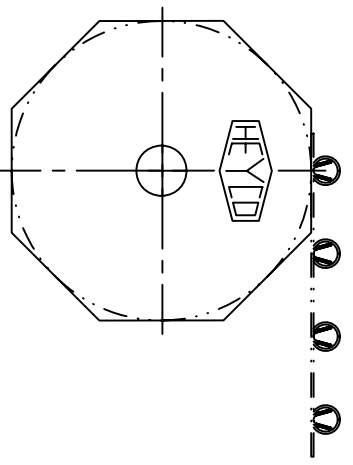
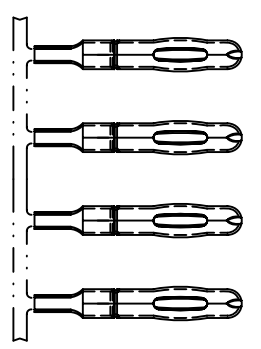
1.) Δ CRITICAL DIMENSION TO BE CHECKED AS PART OF THE IN-PROCESS INSPECTION (SPC).



VIEW: CRIMPS



VIEW: BARREL END
SCALE: 4=1

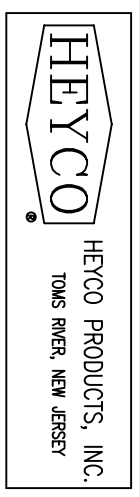


UNWINDING INFORMATION

FEED FROM LEFT TO RIGHT
CRIMP IN FRONT & UPRIGHT

TOLERANCE UNLESS OTHERWISE SPECIFIED: .XX ± 0.015 .XXX ± 0.005 ANGULAR ± 1.0 °

MATERIAL:	BRASS
FINISH:	
THICKNESS:	.012



HEYCO PRODUCTS, INC. claims proprietary rights to the material disclosed herein. This drawing and/or technical information is the property of HEYCO PRODUCTS, INC. It is issued in confidence for use only as authorized and may not be reproduced or described or shown to others without written permission from HEYCO PRODUCTS, INC.

DESCRIPTION: CATALOG DRAWING	8030-001	PART No.
	WB MED PIN	REV.: 7
	WIRE RANGE: 26-22 AWG	
	WIRE STRIP LENGTH:	

TOOLING: UNIV. DIE-A011, PUNCH-C143, ANVIL-C147
 DIE BASE: , PUNCH- , ANVIL-
 CUSTOM- , PUNCH- , ANVIL-