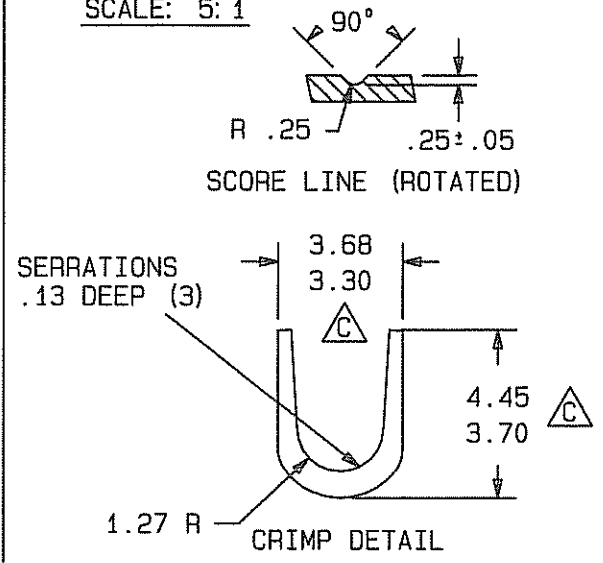


SCALE: 5:1



HEYCO PRODUCTS, INC.
TOMS RIVER, NEW JERSEY
(732) 286-4336 FAX (732) 244-8843

CUSTOM PART DRAWING		
TOLERANCES (SI) :: X.X=0.3 X.XX=0.15 ANG.=2°		
MATL.: BRASS	FINISH:	
THICK: 0.7	WIRE STRIP LENGTH: 7.9	
WIRE RANGE (AWG): 18-14		
TOOLING: UNIV. DIE-N/A, PUNCH-N/A, ANVIL-N/A /DIE BASE-0691, PUNCHES-0L06 (18), 0L35 (16), 0L36 (14), ANVILS-0L10		
DRAWN: SVH	REVISED: W.C.	APPROVED: <i>[Signature]</i>
DATE: 9/25/95	DATE: 2/24/99	DATE: <i>[Signature]</i>
PAIGE "C" POL-LH-R/L DESCRIPTION		
8022 PART NUMBER	8020-102 CATALOG NUMBER	F REVISION

△ - DENOTES CRITICAL DIMENSIONS TO BE CHECKED AS APRT OF THE IN-PROCESS INSPECTION (SPC)