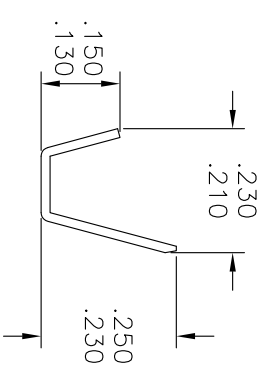
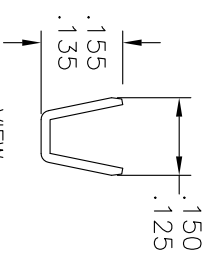
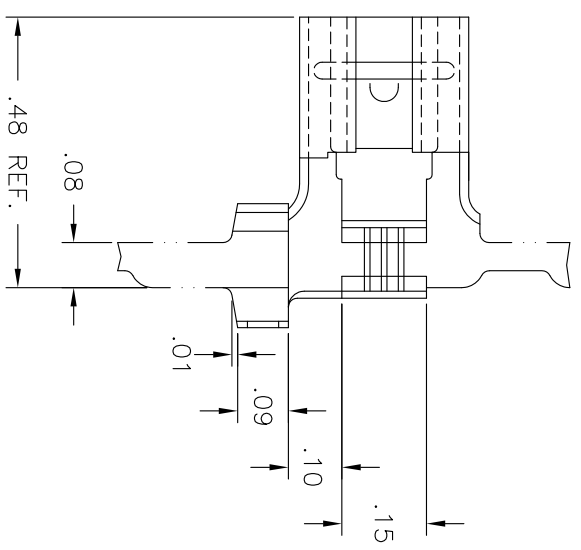
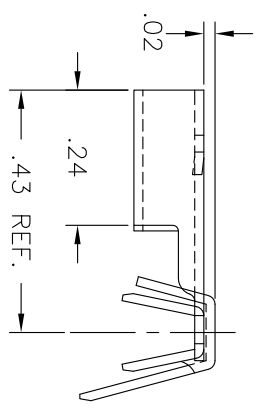
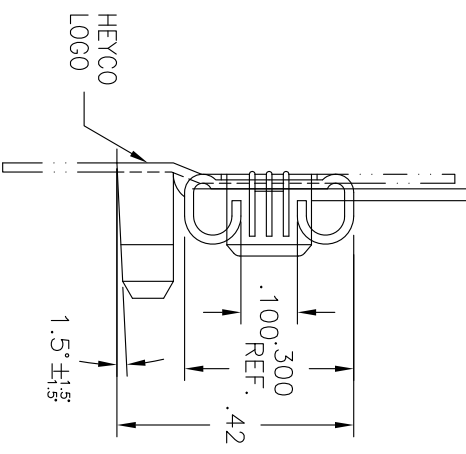
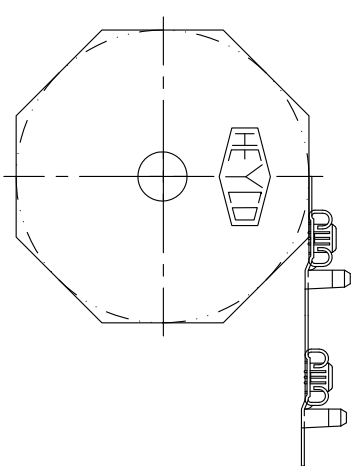
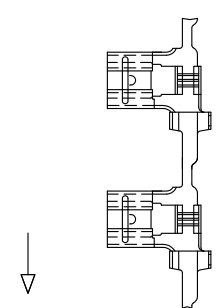


FITS .250
MALE TAB



INSULATION CRIMP
MAX. INS. ϕ .160

LISTED
QUICK CONNECT CONNECTOR
1C11



UNWINDING INFORMATION
FEED FROM RIGHT TO LEFT
CRIMP ON LEFT, BACK & UPRIGHT

HEYCO
HEYCO PRODUCTS, INC.
TOMS RIVER, NEW JERSEY
(732) 286-1800 FAX (732) 244-8843

PART DRAWING

TOLERANCES +/-: .XX=.01 .XXX=.005 ANG.=2°	
MATL.: BRASS	FINISH: TINNED
THICK: .016	WIRE STRIP LENGTH: .22
WIRE RANGE (AWG): 18-14	
TOOLING: UNIV. DIE-N/A, PUNCH-N/A, ANVIL-N/A /DIE BASE-Z006, PUNCHES-Z260(18), Z261(16-14), ANVILS-Z253(18), Z254(16-14)	
DRAWN: TMC	APPROVED:
DATE: 11/05/91	DATE:
REVISED: MEC	DATE:

250-FD-RAR-.032 TAB
DESCRIPTION

7951	7950-015	H
PART NUMBER	CATALOG NUMBER	REVISION