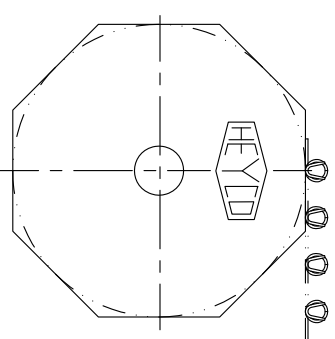
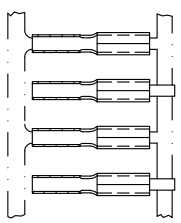
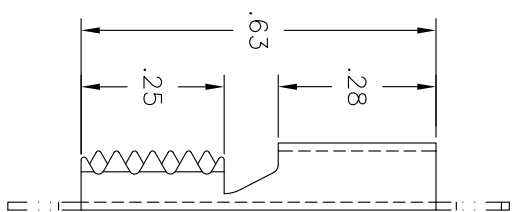
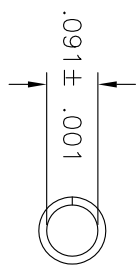


VIEW: CRIMPS



UNWINDING INFORMATION

FEED FROM LEFT TO RIGHT.
CRIMP IN FRONT & UPRIGHT.

HEYCO
 HEYCO PRODUCTS, INC.
 TOMS RIVER, NEW JERSEY
 (732) 286-1800 FAX (732) 244-8843

PART DRAWING

TOLERANCES +/-:	.XX=.01	.XXX=.005	ANG.=2°
MATL.:	BRASS	FINISH:	TINNED
THICK:	.014		
TOOLING:	DIE-A011, PUNCH-C449, ANVIL-C450		
WIRE RANGE (AWG):	26-22		
DRAWN: PJH	REVISED: MEG	APPROVED:	
DATE: 3-25-92	DATE: 07/02/01	DATE:	

SC-91-TIN-L/R

DESCRIPTION

7672	7670-011	A
PART NUMBER	CATALOG NUMBER	REVISION