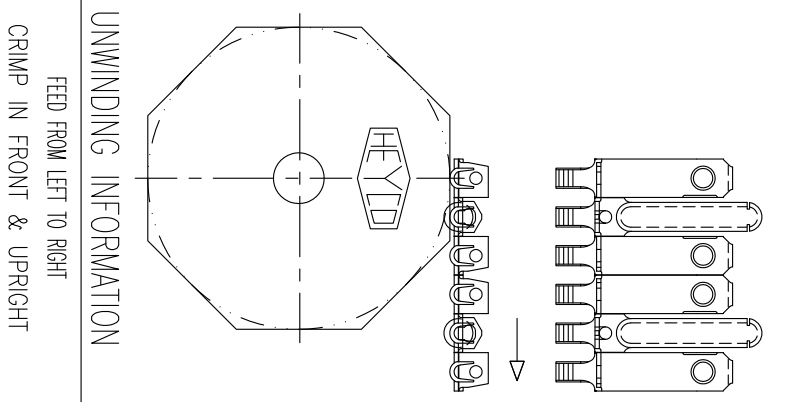



NOTES:

- 1.) REFER TO UL1681 PAGE 10, FIG. C1.5, AND CLAUSE 4.12.2 IN CSA C22.2 WHICH REFERENCES NEMA WD-16-1988.
- 2.) CRITICAL DIMENSION TO BE CHECKED AS PART OF THE IN-PROCESS INSPECTION (SPC).



  
**HEYCO PRODUCTS, INC.**  
 TOMS RIVER, NEW JERSEY  
 (732) 286-4336      FAX (732) 244-8843

PART DRAWING

TOLERANCES +/-: .XX=.01 .XXX=.005 ANG.=2°	
MATL.: BRASS	FINISH: TINNED
THICK: .028	WIRE STRIP LENGTH: .19
WIRE RANGE (AWG): 18-14	
TOOLING: UNIV. DIE-A011, PUNCH-C453, ANVL-C327	
DIE BASE - , PUNCHES - , ANVLS -	
DRAWN: TMC	APPROVED:
DATE: 09/29/01	DATE: 06/29/01

BGBS-7-L/R-TIN  
DESCRIPTION

PART NUMBER	5796
CATALOG NUMBER	5790-211
REVISION	H



LS-91824

