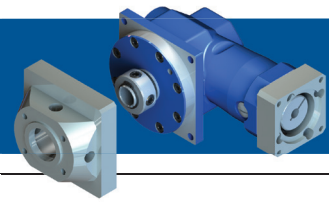




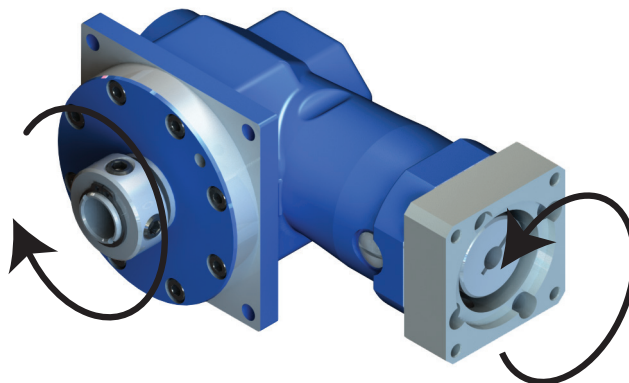
▶ DYNA-LITE SERIES - DL-DC

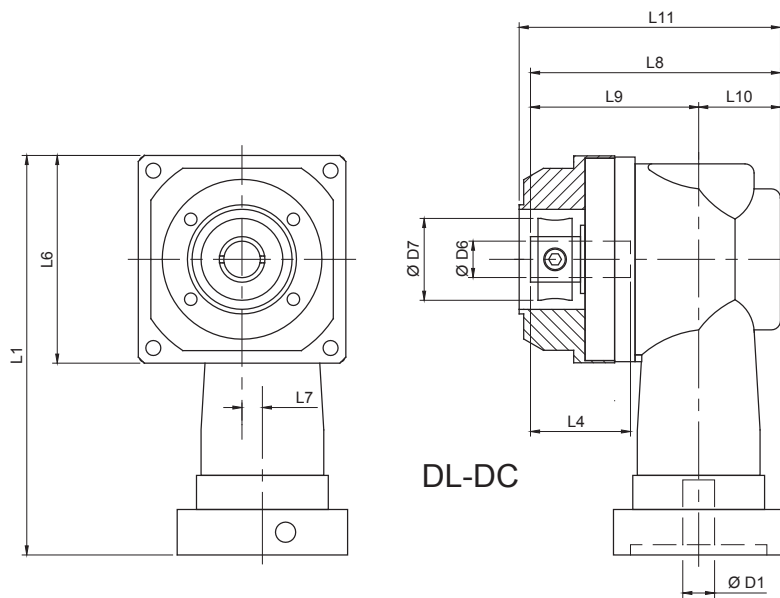


Dyna-Lite Series			55	75	90
Stock Ratios			5, 10, 25, 50, 100		
All Ratios Available*			1-stage: 5, 10, 15** 2-stage: 15**, 25, 50, 100, 150* For other ratios, consult GAM.		
Nominal Output Torque (T_{2n})	Nm (lb-in)	5:1, 10:1, 15:1 ₍₂₎ , 25:1, 50:1, 100:1	35 (310)	70 (620)	140 (1239)
		15:1 ₍₁₎ , 150:1	25 (221)	50 (443)	90 (797)
Max Acceleration Output Torque (T_{2B})	Nm (lb-in)	5:1, 10:1, 15:1 ₍₂₎ , 25:1, 50:1, 100:1	53 (469)	105 (929)	210 (1859)
		15:1 ₍₁₎ , 150:1	38 (336)	75 (664)	143 (1266)
Nominal Input Speed (n_{1n})	RPM	5:1	3700	3100	2700
		10:1, 15:1 ₍₁₎	4200	3500	3000
		2-stage	3500	3000	3000
Max Input Speed (n_{1max})	RPM		6000	6000	5000
Standard Output Backlash (j)	arcmin	1-stage	< 7	< 7	< 6
		2-stage	< 9	< 9	< 8
Torsional Stiffness (C_{t21})	Nm/arcmin		1.5	4.0	10.0
	(lb-in/arcmin)		(13.28)	(35.40)	(88.51)
Weight (m)	kg (lbs)	1-stage	2.6 (5.7)	4.5 (9.9)	9 (19.8)
		2-stage	3.6 (7.9)	6.8 (15)	14.8 (32.6)
Noise Level (L_{pA})	dB(A)	1-stage	< 66	< 66	< 68
		2-stage	< 69	< 70	< 72
Mass Moment of Inertia (J_1)	kg cm ² (lb-in ²)	5:1	0.44 (0.15)	1.06 (0.36)	3.6 (1.224)
		10:1, 15:1 ₍₁₎	0.35 (0.119)	0.84 (0.286)	2.9 (0.986)
		15:1 ₍₂₎ , 25:1	0.17 (0.058)	0.45 (0.153)	1.65 (0.561)
		50:1, 100:1	0.14 (0.048)	0.34 (0.116)	1.1 (0.374)
Efficiency at Load		5,10: 96%	15:1 ₍₁₎ 93%	15:1 ₍₂₎ , 25, 50, 100, 150 87%	
Service Life		>15000 hours			
Lubrication		Life Time Lubrication			
Protection Rating		IP 64			
Operating Temperature Range		-10°C to 100°C (14°F to 212°F)			

* other ratios available

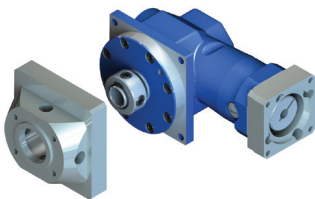
**15:1 ratio available in 1-stage and 2-stage variations





DL-DC		55		75		90	
		mm	(in)	mm	(in)	mm	(in)
D1 _{max} (1 stage)*	motor shaft diameter	16	(0.63)	20	(0.787)	35	(1.378)
D1 _{max} (2 stage standard)*	motor shaft diameter	14	(0.551)	19	(0.748)	19	(0.748)
D1 _{max} (2 stage available)*	motor shaft diameter	16	(0.63)	24	(0.945)	24	(0.945)
D6 _{max}	hollow bore diameter	16	(0.63)	20	(0.787)	30	(1.181)
D7	clamping ring diameter	36	(1.417)	46	(1.811)	56	(2.205)
L1 1-stage***	gearbox length	175	(6.89)	213.5	(8.406)	257	(10.118)
L1 2-stage***		236	(9.291)	304.5	(11.99)	336	(13.23)
L4	allowable shaft length	44	(1.732)	50	(1.968)	50	(1.968)
L6	flange size	90	(3.543)	115	(4.528)	140	(5.512)
L7	gear offset	9	(0.354)	14	(0.551)	18	(0.709)
L8	gearbox width	109.5	(4.311)	126.2	(4.968)	152	(5.984)
L9	hollow shaft to centerline	73.5	(2.894)	84	(3.307)	100	(3.937)
L10	housing to centerline	36	(1.417)	42.2	(1.661)	52	(2.047)
L11**	overall width w/ adapter	115	(4.528)	131	(5.157)	154	(6.063)

* for larger motor shaft diameters, please contact GAM **depending on actuator, width may vary ***depending on motor, length may vary



TYPE CODES FOR DYNA-LITE SERIES (DL-DC)

Example: DL - DC - 075 - 005 H - [090 - 15A] - S111

Gearbox Series

DL = Dyna-Lite

Gearbox Style

DC = hollow clamp output
(Dyna Series Style Output)

Gearbox Size

055, 075, 090

Ratio

5, 10, 15, 25, 50, 100, 150

Special Options

Assigned by GAM

Motor Mount Kit

Assigned by GAM

Options Available for This Product

H = Smooth output shaft

Tolerances (mm)

Size	k6	g6	H7
Over 18	+0.015	-0.007	+0.021
Thru 30	+0.002	-0.020	0
Over 30	+0.018	-0.009	+0.025
Thru 50	+0.002	-0.025	0
Over 50	+0.021	-0.010	+0.030
Thru 80	+0.002	-0.029	0
Over 80	+0.025	-0.012	+0.035
Thru 120	+0.003	-0.034	0
Over 120	+0.028	-0.014	+0.040
Thru 180	+0.003	-0.039	0