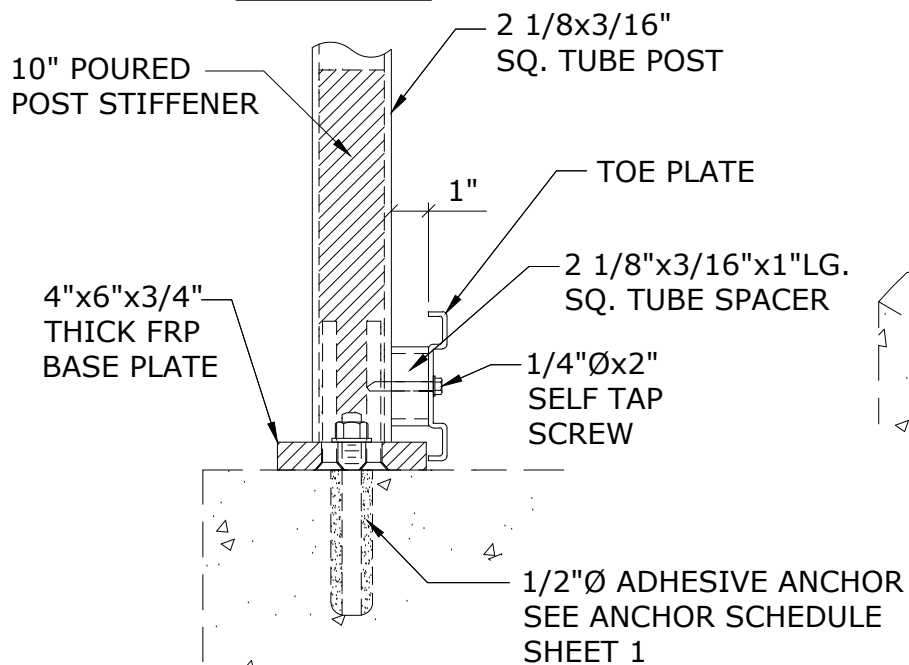
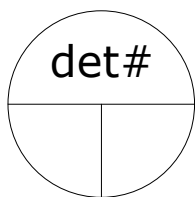
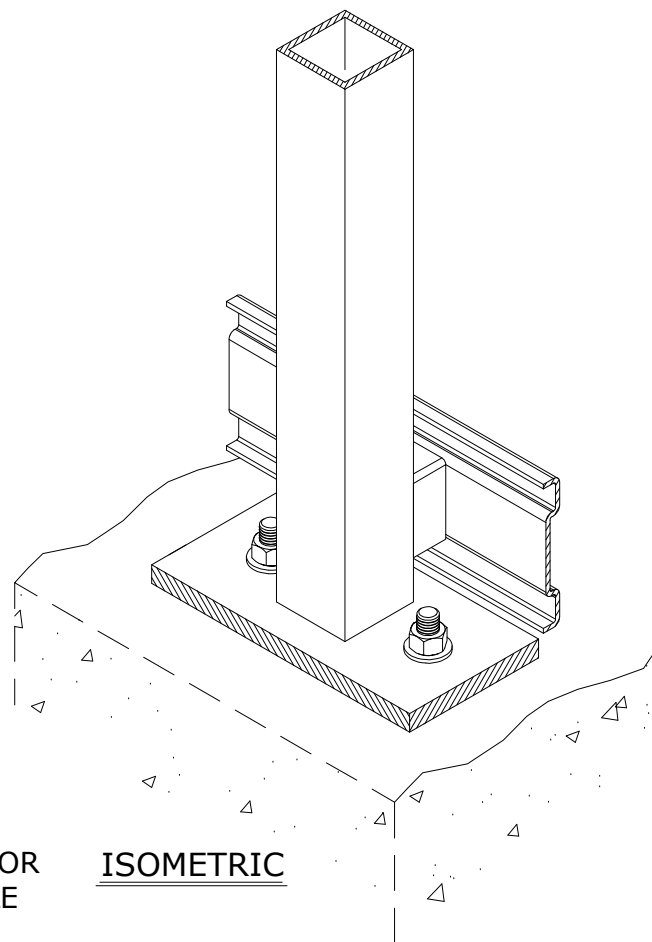


PLAN VIEW



SIDE VIEW



## GUARDRAIL FRP BASE TO CONCRETE

6'-0" max on center spacing for OSHA to meet a F.O.S. of 2.0  
4'-0" max on center spacing for IBC to meet a F.O.S. of 2.0