

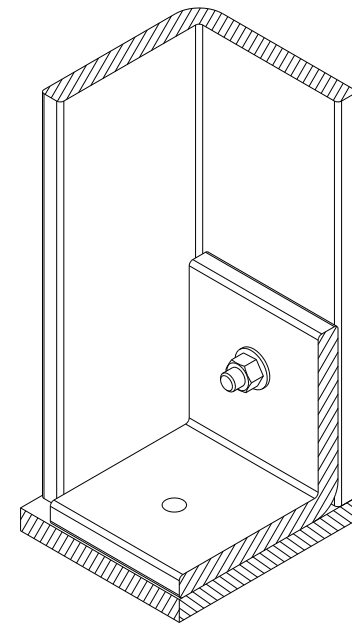
3/8"R x 1 1/2" Lg.  
BOLT ASSEMBLY  
SHOP ATTACHED

4x4x1/2" FRP  
ANGLE COLUMN

3/8" THICK FRP  
BASE PLATE  
SHIPS LOOSE,  
FIELD INSTALL

PLAN VIEW

4x4x1/2" FRP  
ANGLE CLIP



ISOMETRIC

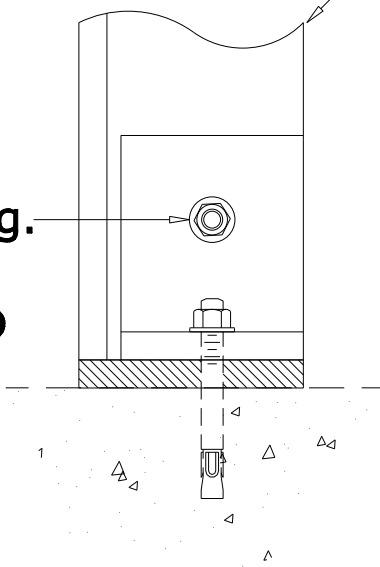
XX

4x4x1/2" FRP  
ANGLE COLUMN

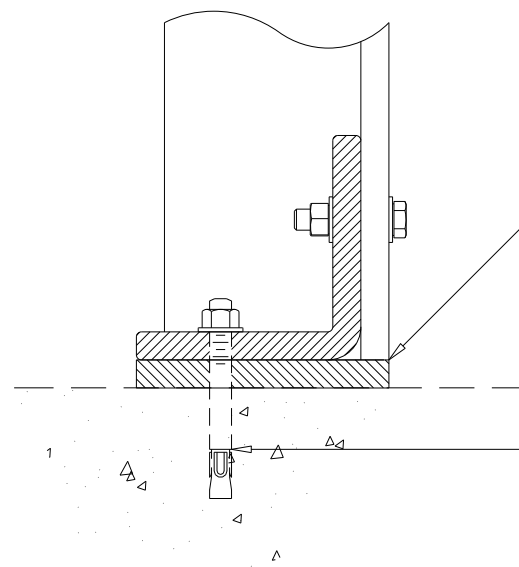
3/8"R x 1 1/2" Lg.  
BOLT ASSEMBLY  
SHOP ATTACHED

3/8" THICK FRP  
BASE PLATE  
SHIPS LOOSE,  
FIELD INSTALL

XX



FRONT VIEW



3/8"R x 3 3/4" HILTI  
QUICK BOLT II WITH  
2" MINIMUM EMBED  
BY OTHERS

SIDE VIEW

