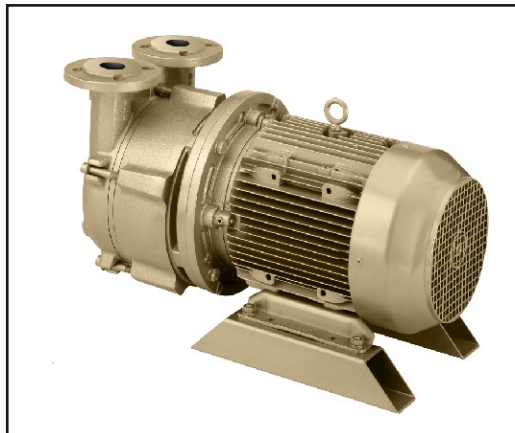


Introducing the TITAN series high efficiency, single-stage liquid ring vacuum pump.

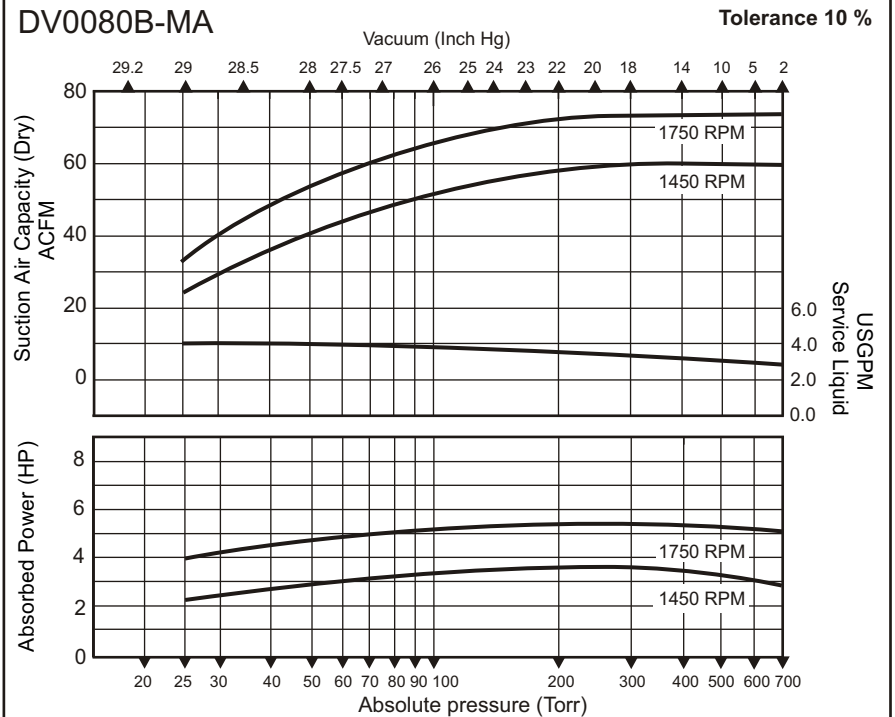
Why should you consider this vacuum pump for your application?

- ◆ Designed for heavy duty applications.
- ◆ 316 stainless steel impeller is standard.
- ◆ Features economical UL/CSA EPACT-compliant motor-mounted design.
- ◆ Manufactured to ISO 9001 standards.
- ◆ Low operating noise level.
- ◆ Features single face mechanical seal as standard.
- ◆ Virtually no maintenance is required.
- ◆ Compact design results in small footprint design.
- ◆ Capable of handling saturated gas mixtures.
- ◆ Capable of handling small amounts of liquids.
- ◆ Only one moving part.
- ◆ Can operate using various seal-fluids.

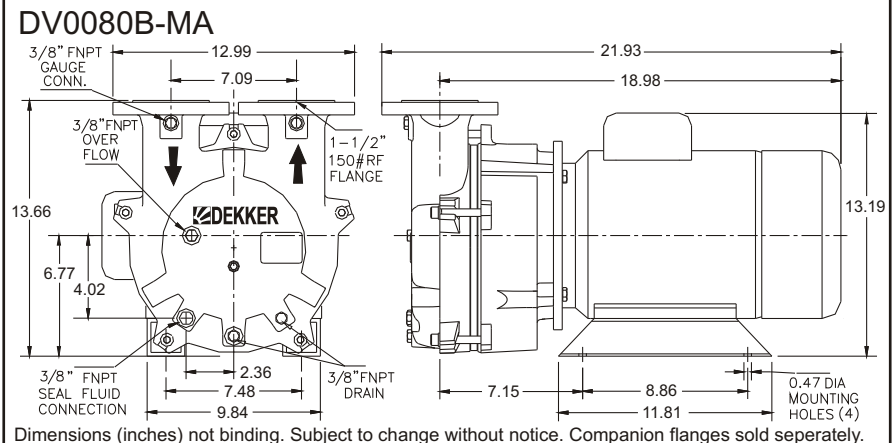


Performance characteristics
 Nominal capacity: 75CFM
 Motor: 60Hz/5.5HP/4kW
 50Hz/4HP/3kW
 Speed(RPM): 60Hz/1750
 50Hz/1450
 Max.vacuum: 29"Hg/25Torr
 Weight (including motor): 232Lbs/105kg
 Max. gas inlet temp: 212°F/100°C
 Max.noise level(at 3ft):73 dBA
Performance based on dry air, seal-water temperature 60°F and atmospheric pressure of 29.92"Hg.

DV0080B-MA



DV0080B-MA



Materials of construction/Seal code				
Mat.code	1	2	3	4
Casing	NA	NA	cast iron	316 SS
Portplate	NA	NA	cast iron	316 SS
Impeller	NA	NA	316 SS	316 SS
Shaft	NA	NA	420 SS	316 SS
Seal code	NA	NA	A*	B*

A= standard mechanical seal with Viton elastomer
 B= standard mechanical seal with Teflon elastomer
 * = other seal materials available upon request.