

---

# ZT 432 Series

## Pneumatic Actuators and Accessories

---

### Features & Benefits

- The SIMTECH rack & pinion pneumatic actuator produces linear torque output in a compact design utilizing the same body and end caps for double acting and spring return units.
- NAMUR VDI/VDE 3845 and ISO 5211 dimension on all sizes. No special blocks are required to mount solenoid valves, limit switches or positioners.
- The standard angle of rotation is 90°. Additional travel rotations of 120°, 135°, 150° and 180° are available. Actuators feature a travel stop with  $\pm 10^\circ$  adjustment in both open and close directions.
- The bottom plate design secures a captive pinion (anti-blowout system) and permits flexibility in mounting by retaining AISI 304 nuts (standard) or AISI 304 bolts (optional) in either dual ISO patterns.
- All pinions are supplied with anti-blowout retention in both directions.
- The female pinion drive is standard with a double square output drive.
- Shaft bearings isolate the pinion gear from the housing and support the shaft for high cycle applications.
- The pinion teeth are engaged for the full length and stroke of the piston. The pinion height allows manual override without disturbing the position indication.
- Extruded aluminum body is internally machined and lapped to exact specifications. All internal and external surfaces are anodized for corrosion resistance.
- External open/closed indicator is standard, available for all rotations.
- Pistons incorporate double wear pads to separate the rack from the actuator wall and serve as both guide and wear bearings.
- Epoxy coated special steel springs are pre-loaded with nonmetallic materials. The stainless steel end cap fasteners are extra long to allow for spring relaxation. All parts are corrosion resistant.
- Air pressure operation from 40 to 150 PSI. Water, nitrogen and compatible hydraulic fluids may also be used to power the actuator.
- All external fasteners are corrosion resistant stainless steel.
- All units are permanently lubricated at the factory with non-silicone grease.
- All units are factory pressure and leak tested, and externally stamped with a progressive traceable serial number.

---

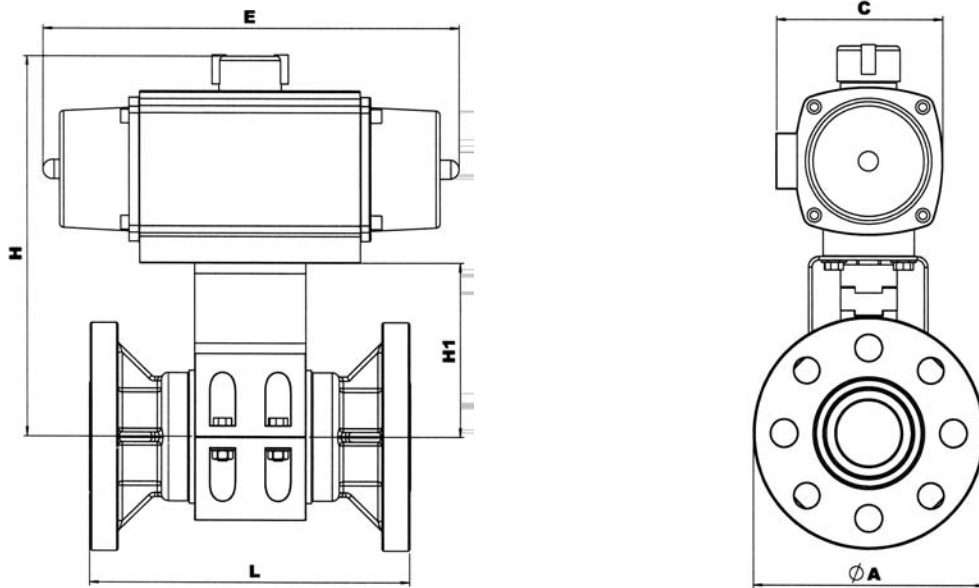
### Accessories & Options

- Electroless Nickel Plating available for improved exterior corrosion resistance.
- Limit Switches with corrosion resistant technopolymer enclosure available in NEMA 4 (Standard) & NEMA 7.
- Solenoid valves with standard NAMUR mount available in 110 VAC (standard), 12 VDC, 24VDC, 24 VAC, 48 VAC, & 220 VAC.
- Positioners for modulating service controlled with a 3-15psi signal or 4-20mA signal.

# ZT 432 Series

## Pneumatic Actuators and Accessories

### Dimensional Data



D Inches	D MM	A	H1	F.A.F	K	Body Bolts	Flange Bolts
1/2	20	3.74	5.71	5.12	2.95	M6	4 x M12
3/4	25	4.13	5.71	5.91	2.95	M6	4 x M12
1	32	4.61	5.71	6.30	3.35	M6	4 x M12
1 1/4	40	5.51	5.71	7.09	3.94	M6	4 x M16
1 1/2	50	5.91	5.71	7.87	4.33	M6	4 x M16
2	63	6.50	6.46	9.06	4.92	M6	4 x M16

### Parts Listing

1. SIMTECH Ball Valve
2. Pneumatic Actuator
3. Valve Mounting Kit
4. Actuator Mounting Kit
5. Driving Sleeve

