

---

# ZT 432 Series

## Electric Actuators and Accessories

---

### Features & Benefits

- Heavy duty gears can reduce down time due to gear failure.
- Permanent lubrication requires little or no maintenance.
- NEMA IV enclosure - Provides protection against splashing, seepage, falling or hose-directed water and severe external applications.
- Open/Close limit switches - SPDT limit switches permit independent fine-tuning of open and close positions.
- Cam-adjusted limit switches assure fast and easy adjustments.
- Extensive selection ranging from 100 in/lb to 27300 in/lb torque.
- Actuators can be mounted and operated in any position.
- Actuators can be used on diverse valve types and in a wide range of applications.
- Thermally bonded polyester coating provides a high degree of corrosion resistance.
- Stainless steel fasteners provide maximum corrosion protection for severe applications.
- Terminal strip assures a fast and easy field installation.
- Thermal over-load protection should the actuator become stalled.
- Reversing Motor.

---

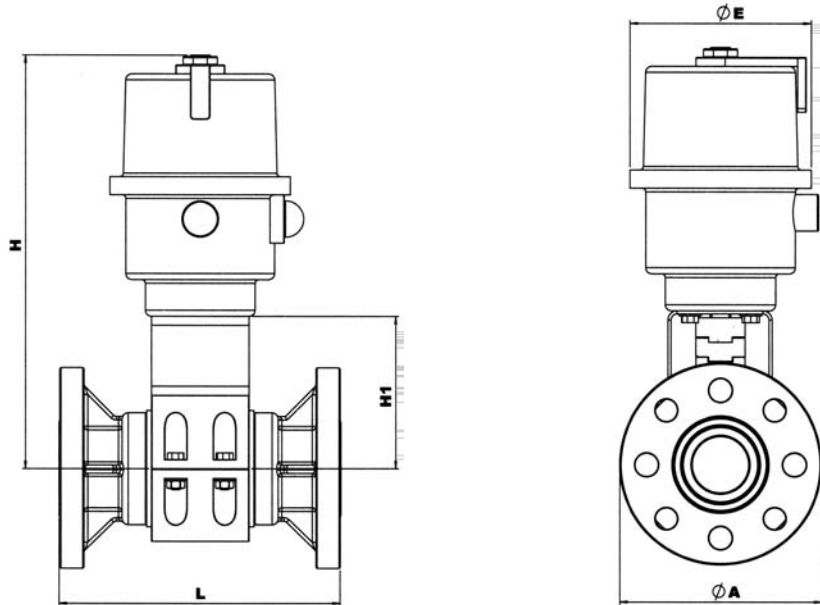
### Accessories & Options

- Auxiliary Switches - Dry contact switches for position indication or control of peripheral equipment.
- Feedback potentiometer - Resistive position feedback and control applications.
- Control relays - Two wire control applications.
- Heater & thermostat - Low temperature or high humidity applications.
- Breather & drain - Humidity control.
- Proportional Positioner - Control applications using analog (4-20mA, 0-10vdc) signals.
- Feedback transmitter - Position feedback, 4-20mA.
- Brakes - Butterfly valve automation and applications requiring true holding power.
- Speed control - Applications requiring slower cycle times, i.e. water hammer.
- Timers - Repeat cycle applications, valve open and close at same time every day.
- Visual indicator - Fast visual valve position indication.
- Torque sensor - Shuts actuator off in stall condition.
- Controls - Simple on/off to process control for temperature, pressure, flow, etc.
- Mounting hardware - To adapt actuator to valve.

# ZT 432 Series

## Electric Actuators and Accessories

### Dimensional Data



D Inches	D MM	A	H	H1	E	L	Flange Bolts
1/2	20	3.74	7.83	5.71	7.48	5.12	4 x M12
3/4	25	4.13	8.62	5.71	7.48	5.91	4 x M12
1	32	4.61	8.62	5.71	7.48	6.30	4 x M12
1 1/4	40	5.51	9.33	5.71	7.48	7.09	4 x M16
1 1/2	50	5.91	9.33	5.71	7.48	7.87	4 x M16
2	63	6.50	10.39	6.46	6.69	9.06	4 x M16

### Parts Listing

1. SIMTECH Ball Valve
2. Electric Actuator
3. Valve Mounting Kit
4. Actuator Mounting Kit
5. Driving Sleeve

