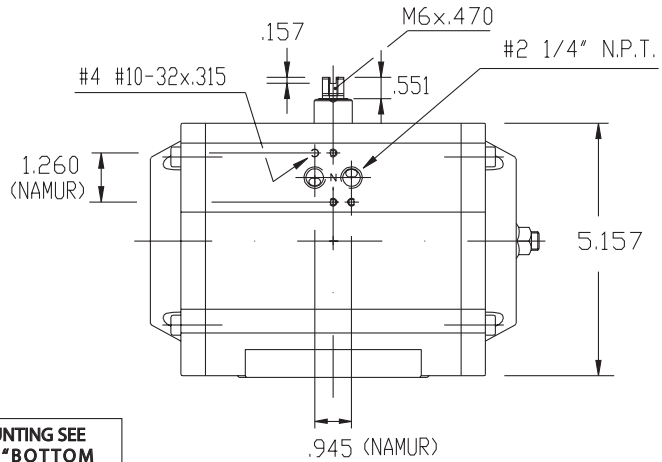
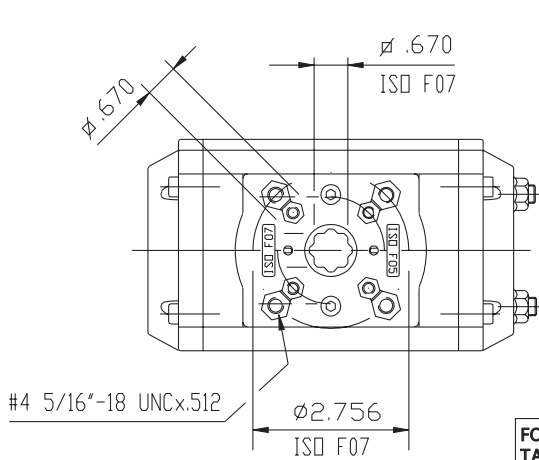


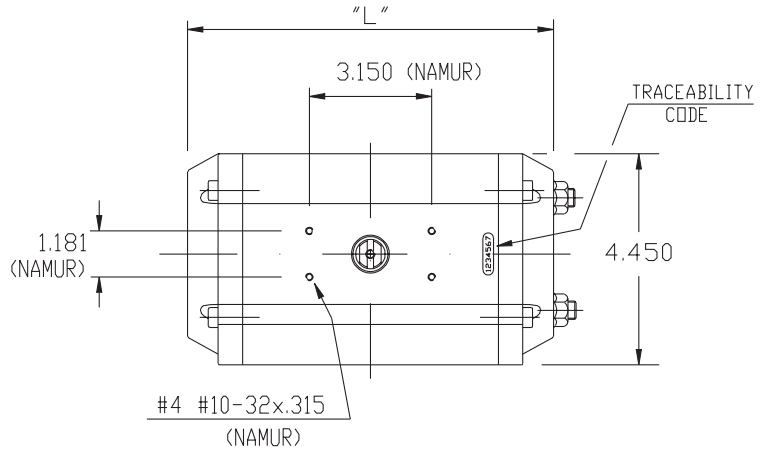
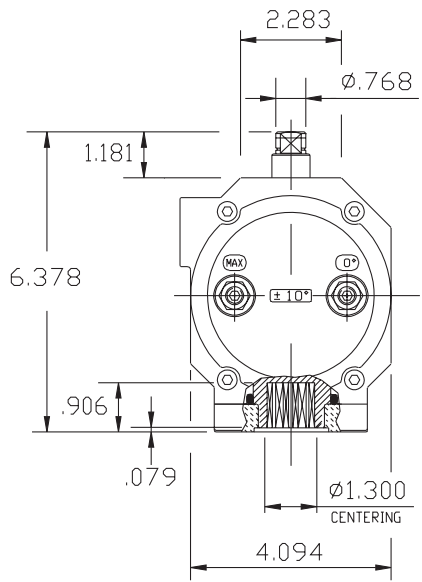
# UT-31

## TECHNICAL DATA

### Dimensional Data



FOR MOUNTING SEE  
TABLE "BOTTOM  
MOUNTING PLATE  
DIMENSIONS"



	90°	120°	135°	150°	180°
"L"	9.055	10.709	11.024	11.850	13.031

#### WEIGHT

STROKE	DOUBLE ACTING					SPRING RETURN 7+5 SPRING
	90°	120°	135°	150°	180°	90°
LB.	10.67	12.61	12.85	13.56	14.88	12.28

#### AIR CONSUMPTION (FULL CYCLE)

STROKE	DOUBLE ACTING					SPRING RETURN 7+5 SPRING
	90°	120°	135°	150°	180°	90°
CU.-IN.	88.9	115.6	118.8	129.4	150.0	40.6

DIMENSIONS TO  
ISO 5211 - DIN 3337  
AND NAMUR VDI/VE 3845

DIMENSIONS IN INCHES