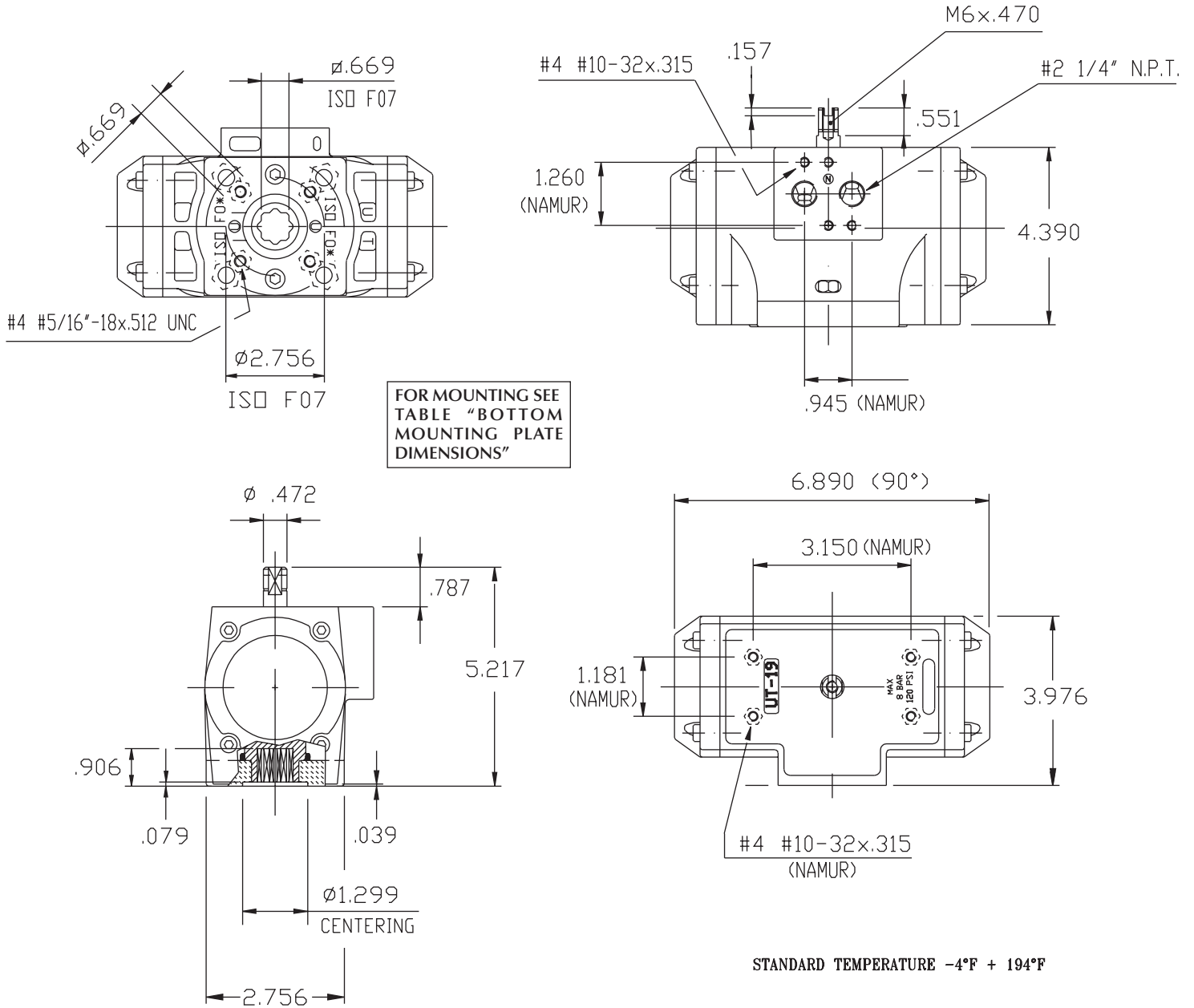


UT-19

TECHNICAL DATA

Dimensional Data



STANDARD TEMPERATURE -4°F + 194°F

DIMENSIONS TO
ISO 5211 - DIN 3337
AND NAMUR VDI/VDE 3845

DIMENSIONS IN INCHES

WEIGHT IN L.B.		AIR CONSUMPTION IN CU. IN.	
D.A.	S.R.	D.A.	S.R.
4.343	5.159 (6+6)	40.6	17.5 (6+6)