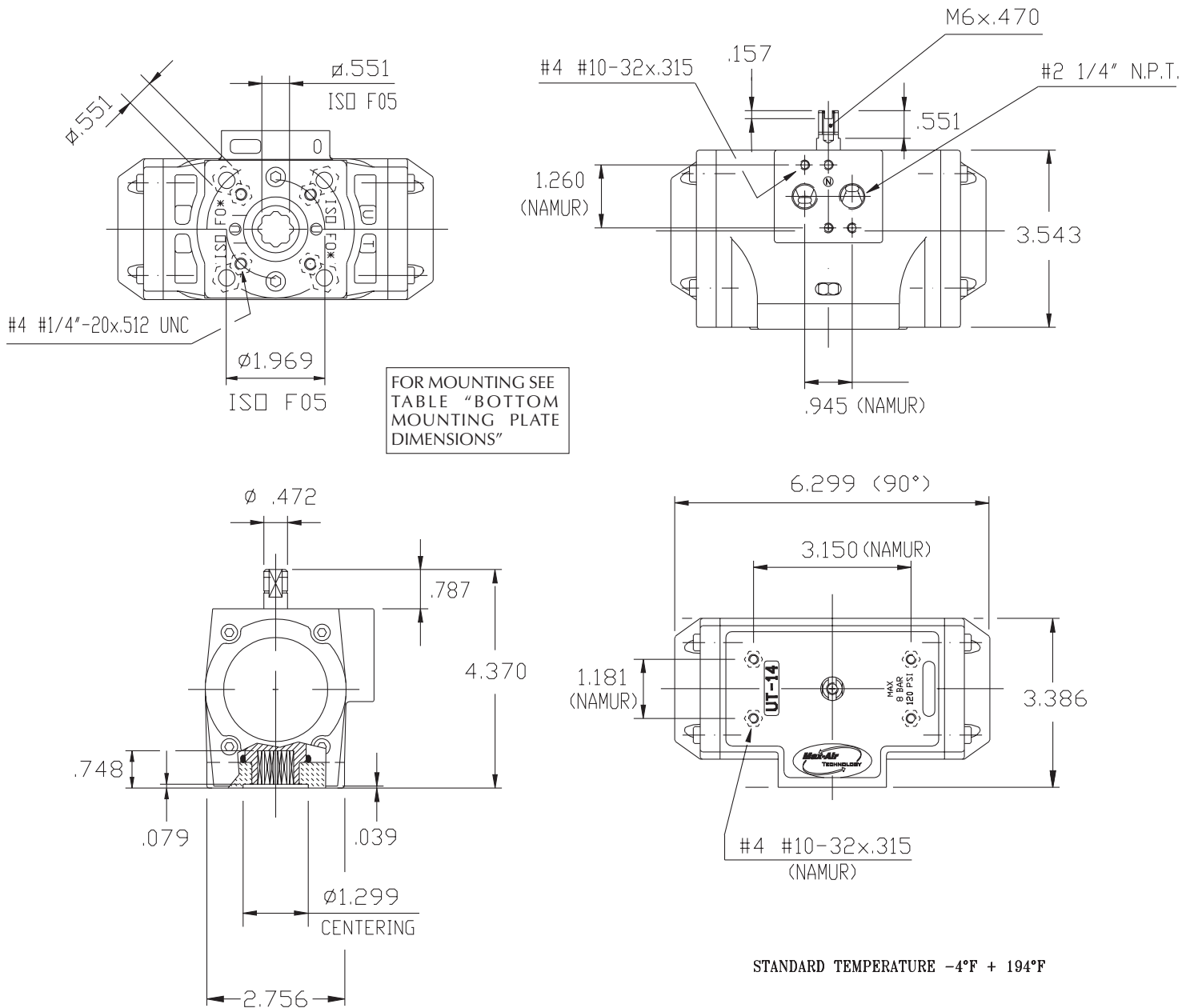


UT-14

TECHNICAL DATA

Dimensional Data



DIMENSIONS TO
ISO 5211 - DIN 3337
AND NAMUR VDI/VDE 3845

DIMENSIONS IN INCHES

WEIGHT IN L.B.		AIR CONSUMPTION IN CU. IN.	
D.A.	S.R.	D.A.	S.R.
2.624	3.064 (6+6)	22.0	10.8 (6+6)