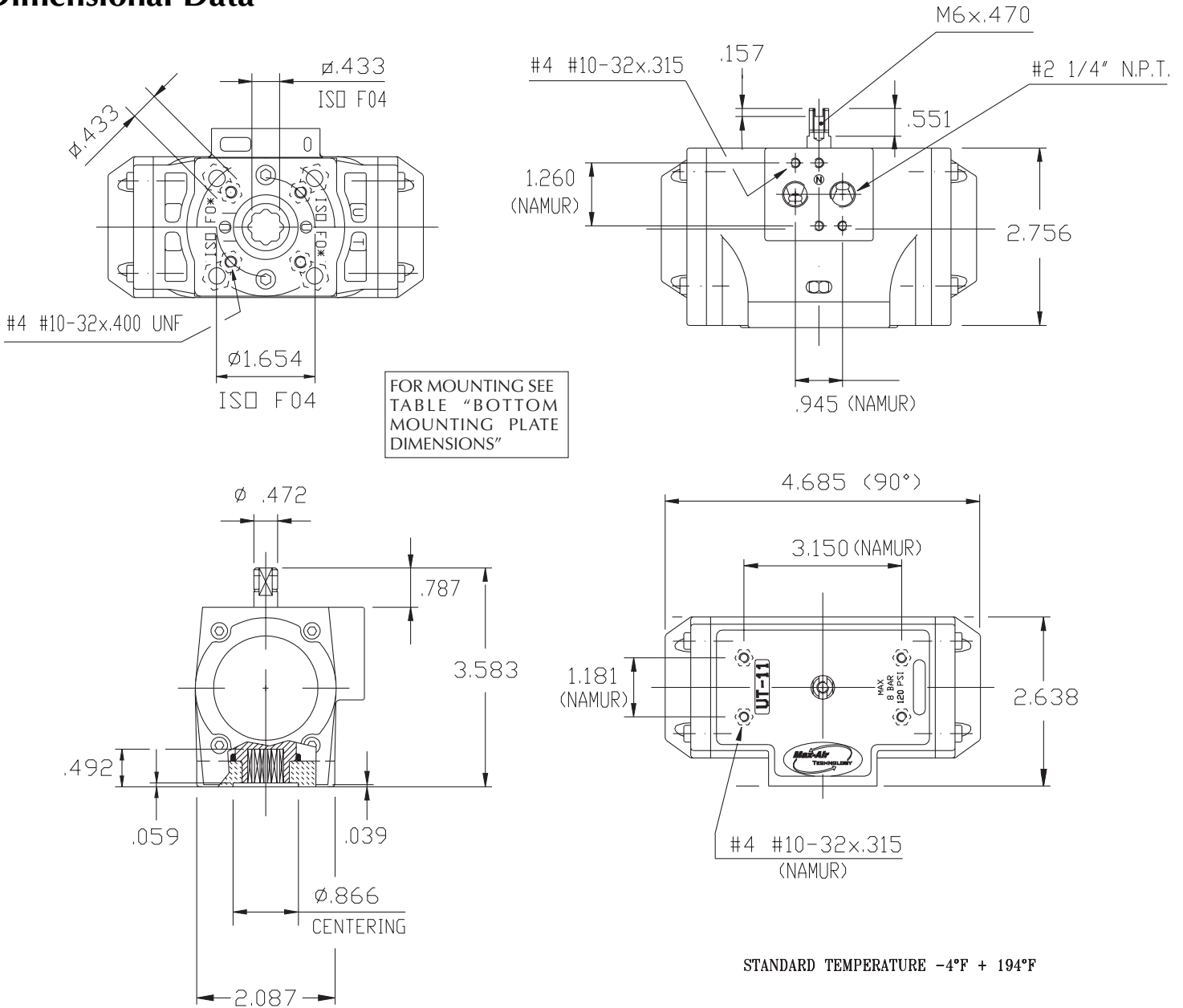


UT-11

TECHNICAL DATA

Dimensional Data



DIMENSIONS TO
ISO 5211 - DIN 3337
AND NAMUR VDI/VE 3845

DIMENSIONS IN INCHES

WEIGHT IN L.B.		AIR CONSUMPTION IN CU. IN.	
D.A.	S.R.	D.A.	S.R.
1.257	1.444 (3+3)	13.5	8.0 (3+3)