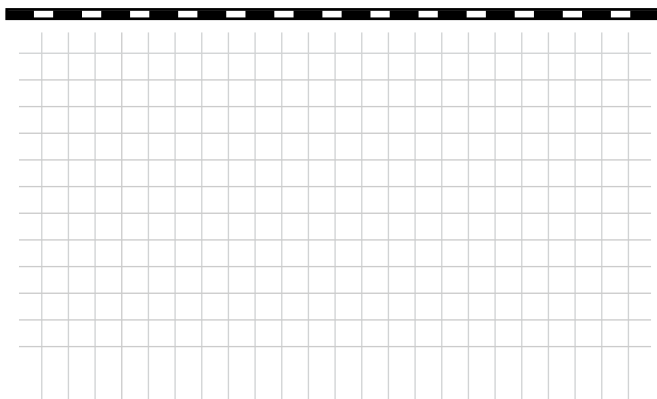


PureTech High Purity Piping Systems

PP Butt Fusion Fittings

*Corrosion Resistant Fluid and
Air Handling Systems.*

SIMTECH



PureTech - High Purity Piping Systems

PureTech - High Purity Piping Systems

TABLE OF CONTENTS

PN10 / SDR 11

Pipe.....	4
-----------	---

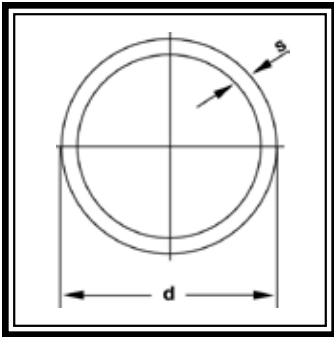
Butt Weld Fittings

Backing Rings	10
Caps: Dome.....	13
Caps: Flat	12
Elbows: 90°	5
Elbows: 90° Long Radius	6
Elbows: 60° Long Radius	7
Elbows: 45° Long Radius	8
Elbows: 30° Long Radius	9
Lateral: 60°	14
Lateral: 45°	15
Reducer: Concentric	22-25
Stub Ends	11
Tee: Molded - Standard	16
Tee: Molded - Reduced.....	18
Tee: Fabricated - Standard	17
Tee: Fabricated - Reduced.....	19-21

Extended Leg

Adapters: Female	35
Adapters: Male	34
Elbow: 90°	26
Elbow: 45°	27
Reducer: Concentric	30-31
Reducer: Eccentric.....	32
Stub Ends.....	33
Tee: Standard	28
Tee: Reduced.....	29
Union.....	36

PureTech - High Purity Piping Systems



PRESSURE PIPE

Description: Pressure Pipe
PN10 / SDR 11 - 150psi

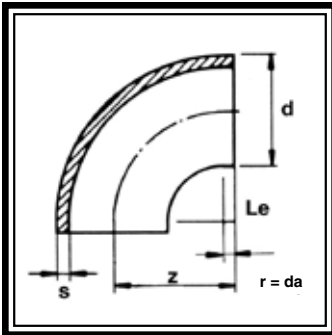
Material: Polypropylene

Execution: Extruded, Stress Relieved

Connection: Butt Fusion

PN 10 / SRD 11						
Nominal Size	Actual OD Size	d in	s in	Weight (lbs./ m)	Weight Lbs. Foot	SIMTECH Part #
3/8"	0.630 (16mm)	0.630	0.087	0.209	0.065	PP05000016
1/2"	0.787 (20mm)	0.787	0.075	0.235	0.074	PP05000020
3/4"	0.984 (25mm)	0.984	0.091	0.361	0.113	PP05000025
1"	1.260 (32mm)	1.260	0.114	0.574	0.179	PP05000032
1 1/4"	1.575 (40mm)	1.575	0.146	0.906	0.283	PP05000040
1 1/2"	1.969 (50mm)	1.969	0.181	1.404	0.439	PP05000050
2"	2.480 (63mm)	2.480	0.228	2.222	0.694	PP05000063
2 1/2"	2.953 (75mm)	2.953	0.268	3.102	0.969	PP05000075
3"	3.543 (90mm)	3.543	0.323	4.466	1.396	PP05000090
4"	4.331 (110mm)	4.331	0.394	6.622	2.069	PP05000110
4 1/2"	4.921 (125mm)	4.921	0.449	8.602	2.688	PP05000125
5"	5.512 (140mm)	5.512	0.500	10.714	3.348	PP05000140
6"	6.299 (160mm)	6.299	0.575	14.058	4.393	PP05000160
7"	7.087 (180mm)	7.087	0.646	17.754	5.548	PP05000180
8"	7.874 (200mm)	7.874	0.717	21.890	6.841	PP05000200
9"	8.858 (225mm)	8.858	0.807	27.720	8.663	PP05000225
10"	9.843 (250mm)	9.843	0.894	34.100	10.656	PP05000250
11"	11.024 (280mm)	11.024	1.000	42.680	13.338	PP05000280
12"	12.402 (315mm)	12.402	1.126	54.120	16.913	PP05000315
14"	13.976 (355mm)	13.976	1.268	68.640	21.450	PP05000355
16"	15.748 (400mm)	15.748	1.429	87.120	27.225	PP05000400
18"	17.717 (450mm)	17.717	1.610	110.220	34.444	PP05000450
20"	19.685 (500mm)	19.685	1.787	136.400	42.625	PP05000500

PureTech - High Purity Piping Systems



Elbow: 90°

Description: Elbow: 90°
PN10 / SDR 11 - 150psi

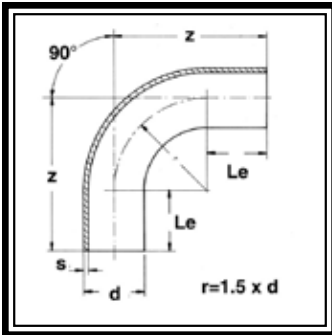
Material: Polypropylene

Execution: Molded

Connection: Butt Fusion

PN 10 / SDR 11								
Nominal Size	Actual OD Size	ID Size in	d in	s in	Le in	z in	Weight lbs	SIMTECH Part #
½"	0.787 (20mm)	0.638	0.787	0.075	0.079	0.827	0.011	PP05010020
¾"	0.984 (25mm)	0.803	0.984	0.091	0.118	1.024	0.015	PP05010025
1"	1.260 (32mm)	1.031	1.260	0.114	0.157	1.339	0.037	PP05010032
1¼"	1.575 (40mm)	1.283	1.575	0.146	0.197	1.693	0.075	PP05010040
1½"	1.969 (50mm)	1.606	1.969	0.181	0.197	2.087	0.139	PP05010050
2"	2.480 (63mm)	2.024	2.480	0.228	0.197	2.598	0.268	PP05010063
2½"	2.953 (75mm)	2.417	2.953	0.268	0.236	3.071	0.451	PP05010075
3"	3.543 (90mm)	2.898	3.543	0.323	0.236	3.661	0.726	PP05010090
4"	4.331 (110mm)	3.543	4.331	0.394	0.315	4.528	1.269	PP05010110
4½"	4.921 (125mm)	4.024	4.921	0.449	0.315	5.118	1.837	PP05010125
5"	5.512 (140mm)	4.512	5.512	0.500	0.315	5.709	2.519	PP05010140
6"	6.299 (160mm)	5.150	6.299	0.575	0.315	6.496	3.828	PP05010160
7"	7.087 (180mm)	5.795	7.087	0.646	0.315	7.244	5.390	PP05010180
8"	7.874 (200mm)	6.441	7.874	0.717	0.315	8.031	7.667	PP05010200
9"	8.858 (225mm)	7.244	8.858	0.807	0.394	9.094	10.318	PP05010225
10"	9.843 (250mm)	8.055	9.843	0.894	0.394	10.079	13.838	PP05010250
11"	11.024 (280mm)	9.024	11.024	1.000	0.394	11.260	19.404	PP05010280
12"	12.402 (315mm)	10.150	12.402	1.126	0.394	12.677	27.874	PP05010315
14"	13.976 (355mm)	11.441	13.976	1.268	0.591	14.961	42.603	PP05010355
16"	15.748 (400mm)	12.890	15.748	1.429	0.984	17.126	62.722	PP05010400

PureTech - High Purity Piping Systems



Elbow: 90° Long Radius - Extended Leg

Description: 90° Elbow
PN10 / SDR 11 - 150psi

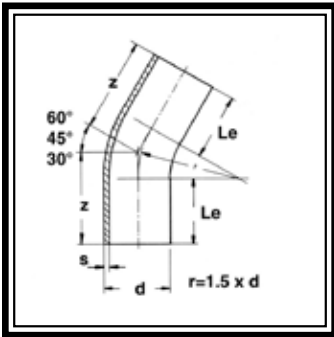
Material: Polypropylene

Execution: Formed Pipe - Radius = 1.5, 2.25, 3, 4.5, or Greater x OD

Connection: Butt Fusion

PN 10 / SDR 11								
Nominal Size	Actual OD Size	ID Size in	d in	s in	le in	z in	Weight lbs	SIMTECH Part #
1"	1.260 (32mm)	1.031	1.260	0.114	3.937	5.827	0.198	PP05400032
1¼"	1.575 (40mm)	1.283	1.575	0.146	3.937	6.890	0.308	PP05400040
1½"	1.969 (50mm)	1.606	1.969	0.181	3.937	7.677	0.528	PP05400050
2"	2.480 (63mm)	2.024	2.480	0.228	3.937	8.661	0.946	PP05400063
2½"	2.953 (75mm)	2.417	2.953	0.268	3.937	9.370	1.364	PP05400075
3"	3.543 (90mm)	2.898	3.543	0.323	3.937	10.236	2.191	PP05400090
4"	4.331 (110mm)	3.543	4.331	0.394	5.906	13.386	4.224	PP05400110
4½"	4.921 (125mm)	4.024	4.921	0.449	5.906	14.291	5.126	PP05400125
5"	5.512 (140mm)	4.512	5.512	0.500	5.906	15.157	7.040	PP05400140
6"	6.299 (160mm)	5.150	6.299	0.575	5.906	16.339	9.944	PP05400160
7"	7.087 (180mm)	5.795	7.087	0.646	5.906	17.520	14.080	PP05400180
8"	7.874 (200mm)	6.441	7.874	0.717	5.906	18.701	16.896	PP05400200
9"	8.858 (225mm)	7.244	8.858	0.807	5.906	20.197	24.200	PP05400225
10"	9.843 (250mm)	8.055	9.843	0.894	9.843	25.591	37.180	PP05400250
11"	11.024 (280mm)	9.024	11.024	1.000	9.843	27.362	44.000	PP05400280
12"	12.402 (315mm)	10.150	12.402	1.126	9.843	31.614	79.200	PP05400315

PureTech - High Purity Piping Systems



Elbow: 60° Long Radius - Extended Leg

Description: Elbow: 60°
PN10 / SDR 11 - 150psi

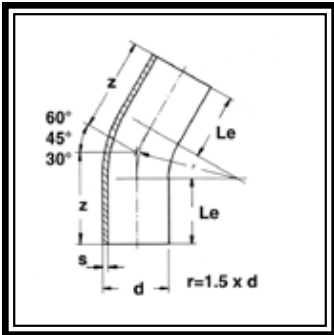
Material: Polypropylene

Execution: Formed Pipe - Radius = 1.5, 2.25, 3, 4.5, or Greater x OD

Connection: Butt Fusion

PN 10 / SDR 11								
Nominal Size	Actual OD Size	ID Size in	d in	s in	le in	z in	Weight lbs	SIMTECH Part #
1"	1.260 (32mm)	1.031	1.260	0.114	3.150	5.039	0.198	PP05410032
1¼"	1.575 (40mm)	1.283	1.575	0.146	3.150	5.315	0.198	PP05410040
1½"	1.969 (50mm)	1.606	1.969	0.181	3.937	6.220	0.418	PP05410050
2"	2.480 (63mm)	2.024	2.480	0.228	3.937	6.811	0.836	PP05410063
2½"	2.953 (75mm)	2.417	2.953	0.268	3.937	7.165	1.320	PP05410075
3"	3.543 (90mm)	2.898	3.543	0.323	3.937	7.598	2.002	PP05410090
4"	4.331 (110mm)	3.543	4.331	0.394	5.906	10.630	3.784	PP05410110
4½"	4.921 (125mm)	4.024	4.921	0.449	5.906	11.142	4.444	PP05410125
5"	5.512 (140mm)	4.512	5.512	0.500	5.906	11.654	5.852	PP05410140
6"	6.299 (160mm)	5.150	6.299	0.575	5.906	12.323	8.096	PP05410160
7"	7.087 (180mm)	5.795	7.087	0.646	5.906	12.992	10.780	PP05410180
8"	7.874 (200mm)	6.441	7.874	0.717	5.906	13.701	14.058	PP05410200
9"	8.858 (225mm)	7.244	8.858	0.807	5.906	14.567	18.810	PP05410225
10"	9.843 (250mm)	8.055	9.843	0.894	9.843	19.685	34.100	PP05410250
11"	11.024 (280mm)	9.024	11.024	1.000	9.843	20.866	44.616	PP05410280
12"	12.402 (315mm)	10.150	12.402	1.126	9.843	24.094	59.532	PP05410315

PureTech - High Purity Piping Systems



Elbow: 45° Long Radius - Extended Leg

Description: Elbow: 45°
PN10 / SDR 11 - 150psi

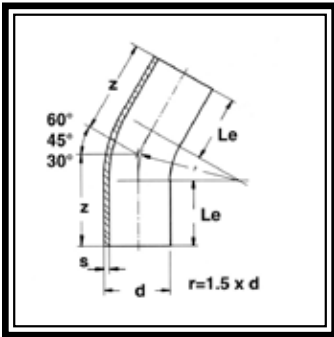
Material: Polypropylene

Execution: Formed Pipe - Radius = 1.5, 2.25, 3, 4.5, or Greater x OD

Connection: Butt Fusion

PN 10 / SDR 11								
Nominal Size	Actual OD Size	ID Size in	d in	s in	le in	z in	Weight lbs	SIMTECH Part #
1"	1.260 (32mm)	1.031	1.260	0.114	3.150	4.724	0.176	PP05420032
1¼"	1.575 (40mm)	1.283	1.575	0.146	3.150	4.724	0.264	PP05420040
1½"	1.969 (50mm)	1.606	1.969	0.181	3.937	5.866	0.440	PP05420050
2"	2.480 (63mm)	2.024	2.480	0.228	3.937	6.339	0.770	PP05420063
2½"	2.953 (75mm)	2.417	2.953	0.268	3.937	6.614	1.144	PP05420075
3"	3.543 (90mm)	2.898	3.543	0.323	3.937	6.969	1.716	PP05420090
4"	4.331 (110mm)	3.543	4.331	0.394	5.906	9.567	3.300	PP05420110
4½"	4.921 (125mm)	4.024	4.921	0.449	5.906	9.961	4.620	PP05420125
5"	5.512 (140mm)	4.512	5.512	0.500	5.906	10.315	6.314	PP05420140
6"	6.299 (160mm)	5.150	6.299	0.575	5.906	10.787	7.172	PP05420160
7"	7.087 (180mm)	5.795	7.087	0.646	5.906	11.299	9.482	PP05420180
8"	7.874 (200mm)	6.441	7.874	0.717	5.906	11.772	16.192	PP05420200
9"	8.858 (225mm)	7.244	8.858	0.807	5.906	12.402	16.280	PP05420225
10"	9.843 (250mm)	8.055	9.843	0.894	9.843	17.323	31.240	PP05420250
11"	11.024 (280mm)	9.024	11.024	1.000	9.843	18.110	40.920	PP05420280
12"	12.402 (315mm)	10.150	12.402	1.126	9.843	20.866	61.600	PP05420315

PureTech - High Purity Piping Systems



Elbow: 30° Long Radius - Extended Leg

Description: Elbow: 30°
PN10 / SDR 11 - 150psi

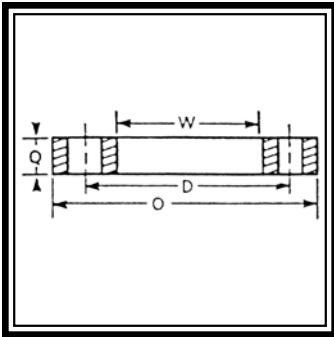
Material: Polypropylene

Execution: Formed Pipe - Radius = 1.5, 2.25, 3, 4.5, or Greater x OD

Connection: Butt Fusion

PN 10 / SDR 11								
Nominal Size	Actual OD Size	ID Size in	d in	s in	le in	z in	Weight lbs	SIMTECH Part #
1"	1.260 (32mm)	1.031	1.260	0.114	3.150	4.449	0.033	PP05430032
1¼"	1.575 (40mm)	1.283	1.575	0.146	3.150	4.567	0.273	PP05430040
1½"	1.969 (50mm)	1.606	1.969	0.181	3.937	5.512	0.330	PP05430050
2"	2.480 (63mm)	2.024	2.480	0.228	3.937	5.906	0.550	PP05430063
2½"	2.953 (75mm)	2.409	2.953	0.272	3.937	6.102	1.100	PP05430075
3"	3.543 (90mm)	2.898	3.543	0.323	3.937	6.299	1.540	PP05430090
4"	4.331 (110mm)	3.543	4.331	0.394	5.906	8.622	2.970	PP05430110
4½"	4.921 (125mm)	4.024	4.921	0.449	5.906	8.858	4.224	PP05430125
5"	5.512 (140mm)	4.512	5.512	0.500	5.906	9.094	4.620	PP05430140
6"	6.299 (160mm)	5.150	6.299	0.575	5.906	9.409	6.270	PP05430160
7"	7.087 (180mm)	5.795	7.087	0.646	5.906	9.724	8.162	PP05430180
8"	7.874 (200mm)	6.441	7.874	0.717	5.906	10.039	15.114	PP05430200
9"	8.858 (225mm)	7.244	8.858	0.807	5.906	10.472	13.750	PP05430225
10"	9.843 (250mm)	8.055	9.843	0.894	9.843	15.157	27.280	PP05430250
11"	11.024 (280mm)	9.024	11.024	1.000	9.843	15.748	35.178	PP05430280
12"	12.402 (315mm)	10.150	12.402	1.126	9.843	18.110	46.002	PP05430315

PureTech - High Purity Piping Systems



Backing Ring

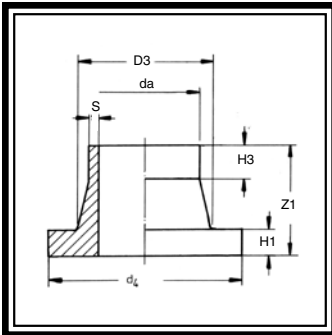
Description: Backing Ring
150 lbs. ANSI Drilling

Material: Glass Filled Polypropylene with Steel Core

Execution: Molded

Nominal Size	Actual OD Size	d in	DN in	b in	D in	d2 in	d6 in	k in	# Holes	Weight lbs
1/2"	0.787 (20mm)	0.787	0.591	0.472	3.740	0.551	1.102	2.559	4	0.535
3/4"	0.984 (25mm)	0.984	0.787	0.472	4.173	0.551	1.339	2.953	4	0.671
1"	1.260 (32mm)	1.260	0.984	0.630	4.528	0.551	1.654	3.346	4	1.034
1 1/4"	1.575 (40mm)	1.575	1.260	0.709	5.512	0.709	2.008	3.937	4	1.558
1 1/2"	1.969 (50mm)	1.969	1.575	0.709	5.906	0.709	2.441	4.331	4	1.727
2"	2.480 (63mm)	2.480	1.969	0.709	6.496	0.709	3.071	4.921	4	1.969
2 1/2"	2.953 (75mm)	2.953	2.559	0.709	7.283	0.709	3.622	5.709	4	2.563
3"	3.543 (90mm)	3.543	3.150	0.787	7.874	0.709	4.252	6.299	8	2.992
4"	4.331 (110mm)	4.331	3.937	0.787	8.661	0.709	5.039	7.087	8	3.729
4 1/2"	4.921 (125mm)	4.921	3.937	0.787	8.661	0.709	5.315	7.087	8	3.256
5"	5.512 (140mm)	5.512	4.921	0.945	9.843	0.709	6.220	8.268	8	5.137
6"	6.299 (160mm)	6.299	5.906	0.945	11.220	0.866	7.008	9.449	8	7.810
7"	7.087 (180mm)	7.087	5.906	0.945	11.220	0.866	7.402	9.449	8	7.084
8"	7.874 (200mm)	7.874	7.874	0.945	13.386	0.866	9.331	11.614	8	10.076
9"	8.858 (225mm)	8.858	7.874	0.945	13.386	0.866	9.449	11.614	8	9.306
10"	9.843 (250mm)	9.843	9.843	1.181	15.945	0.866	11.339	13.780	12	15.840
11"	11.024 (280mm)	11.024	9.843	1.181	15.945	0.866	11.575	13.780	12	15.730
12"	12.402 (315mm)	12.402	11.811	1.339	18.110	0.866	13.307	15.748	12	20.768
14"	13.976 (355mm)	13.976	13.780	1.535	20.157	0.866	14.803	18.110	16	34.254
16"	15.748 (400mm)	15.748	15.748	1.732	22.244	1.024	16.929	20.276	16	43.549
18"	17.717 (450mm)	17.717	19.685	1.732	26.575	1.024	20.984	24.409	20	52.448
20"	19.685 (500mm)	19.685	19.685	1.732	26.575	1.024	20.984	24.409	20	54.395

PureTech - High Purity Piping Systems



Stub Ends

Description: Stub Ends
PN10 / SDR 11 - 150psi

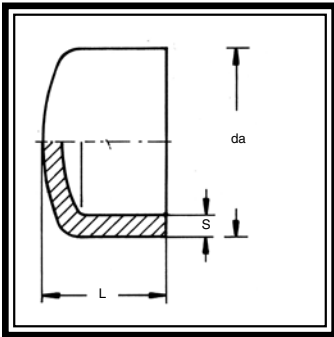
Material: Polypropylene

Execution: Molded

Connection: Butt Fusion

PN 10 / SDR 11											
Nominal Size	Actual OD Size	ID Size in	d in	s in	d3 in	d4 in	h1 in	h4 in	z1 in	Weight lbs	SIMTECH Part #
1/2"	0.787 (20mm)	0.638	0.787	0.075	1.063	1.772	0.276	1.181	1.969	0.040	PP0506020
3/4"	0.984 (25mm)	0.803	0.984	0.091	1.299	2.283	0.354	1.102	1.969	0.068	PP0506025
1"	1.260 (32mm)	1.031	1.260	0.114	1.575	2.677	0.394	1.063	1.969	0.099	PP0506032
1 1/4"	1.575 (40mm)	1.283	1.575	0.146	1.969	3.071	0.433	0.945	1.969	0.156	PP0506040
1 1/2"	1.969 (50mm)	1.606	1.969	0.181	2.402	3.465	0.472	0.906	1.969	0.198	PP0506050
2"	2.480 (63mm)	2.024	2.480	0.228	2.953	4.016	0.551	0.787	1.969	0.297	PP0506063
2 1/2"	2.953 (75mm)	2.417	2.953	0.268	3.504	4.803	0.630	0.787	1.969	0.466	PP0506075
3"	3.543 (90mm)	2.898	3.543	0.323	4.134	5.433	0.669	1.693	3.150	0.700	PP0506090
4"	4.331 (110mm)	3.543	4.331	0.394	4.921	6.220	0.709	1.457	3.150	1.012	PP0506110
4 1/2"	4.921 (125mm)	4.024	4.921	0.449	5.197	6.220	0.984	1.378	3.150	1.107	PP0506125
5"	5.512 (140mm)	4.512	5.512	0.500	6.102	7.402	0.984	1.063	3.150	1.595	PP0506140
6"	6.299 (160mm)	5.150	6.299	0.575	6.890	8.346	0.984	1.063	3.150	2.024	PP0506160
7"	7.087 (180mm)	5.795	7.087	0.646	7.087	8.307	1.181	0.787	3.150	2.057	PP0506180
8"	7.874 (200mm)	6.441	7.874	0.717	9.134	10.512	1.260	1.102	4.724	4.675	PP0506200
9"	8.858 (225mm)	7.244	8.858	0.807	9.252	10.512	1.260	1.496	4.724	4.653	PP0506225
10"	9.843 (250mm)	8.055	9.843	0.894	11.220	12.559	1.378	0.984	4.724	6.710	PP0506250
11"	11.024 (280mm)	9.024	11.024	1.000	11.457	12.559	1.378	1.378	4.724	6.534	PP0506280
12"	12.402 (315mm)	10.150	12.402	1.126	13.189	14.528	1.378	0.984	4.724	9.394	PP0506315
14"	13.976 (355mm)	11.441	13.976	1.268	14.685	16.890	1.575	1.575	4.724	12.408	PP0506355
16"	15.748 (400mm)	12.890	15.748	1.429	16.811	18.937	1.811	1.142	5.512	18.260	PP0506400
18"	17.717 (450mm)	14.496	17.717	1.610	20.236	22.992	2.362	1.575	5.512	30.360	PP0506450
20"	19.685 (500mm)	16.110	19.685	1.787	20.866	22.992	2.362	1.181	5.512	30.041	PP0506500
22"	22.047 (560mm)	18.047	22.047	2.000	24.213	26.969	2.362	2.362	5.512	35.420	PP0506560

PureTech - High Purity Piping Systems



Caps: Dome

Description: End Caps
PN10 / SDR 11 - 150psi

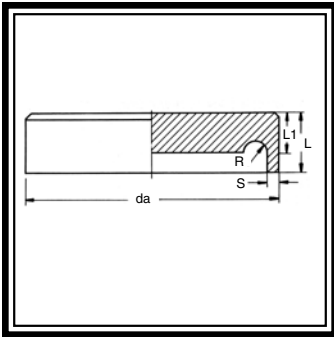
Material: Polypropylene

Execution: Molded

Connection: Butt Fusion

PN 10 / SDR 11						
Nominal Size	Actual OD Size	d in	s in	L in	Weight lbs	SIMTECH Part #
½"	0.787 (20mm)	0.787	0.075	1.654	0.013	PP05310020
¾"	0.984 (25mm)	0.984	0.091	1.890	0.022	PP05310025
1"	1.260 (32mm)	1.260	0.114	2.165	0.037	PP05310032
1¼"	1.575 (40mm)	1.575	0.146	2.402	0.062	PP05310040
1½"	1.969 (50mm)	1.969	0.181	2.756	0.112	PP05310050
2"	2.480 (63mm)	2.480	0.228	3.228	0.207	PP05310063
2½"	2.953 (75mm)	2.953	0.268	3.622	0.323	PP05310075
3"	3.543 (90mm)	3.543	0.323	3.937	0.506	PP05310090
4"	4.331 (110mm)	4.331	0.394	4.724	0.880	PP05310110
4½"	4.921 (125mm)	4.921	0.449	4.961	1.195	PP05310125
5"	5.512 (140mm)	5.512	0.500	5.354	1.621	PP05310140
6"	6.299 (160mm)	6.299	0.575	5.906	2.398	PP05310160
7"	7.087 (180mm)	7.087	0.646	6.299	3.168	PP05310180
8"	7.874 (200mm)	7.874	0.717	6.890	4.158	PP05310200
9"	8.858 (225mm)	8.858	0.807	7.874	5.676	PP05310225
10"	9.843 (250mm)	9.843	0.894	8.071	5.940	PP05310250
11"	11.024 (280mm)	11.024	1.000	9.055	6.820	PP05310280
12"	12.402 (315mm)	12.402	1.126	10.039	14.520	PP05310315
14"	13.976 (355mm)	13.976	1.268	11.496	20.020	PP05310355
16"	15.748 (400mm)	15.748	1.429	12.205	26.840	PP05310400

PureTech - High Purity Piping Systems



Caps: Flat

Description: End Caps
PN10 / SDR 11 - 150psi

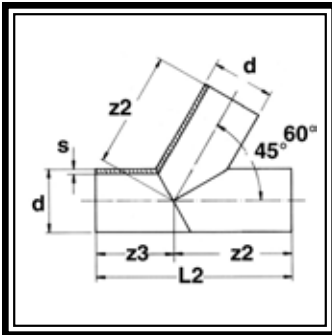
Material: Polypropylene

Execution: Machined

Connection: Butt Fusion

PN 10 / SDR 11							
Nominal Size	Actual OD Size	d in	s in	L in	L1 in	Weight lbs	Simtech Part #
10"	9.843 (250mm)	9.843	0.894	1.969	1.457	4.048	PP05090250
11"	11.024 (280mm)	11.024	1.000	2.165	1.634	5.632	PP05090280
12"	12.402 (315mm)	12.402	1.126	2.362	1.831	7.920	PP05090315
14"	13.976 (355mm)	13.976	1.268	2.559	2.067	11.088	PP05090355
16"	15.748 (400mm)	15.748	1.429	2.756	2.323	15.642	PP05090400
18"	17.717 (450mm)	17.717	1.610	3.150	2.618	22.440	PP05090450
20"	19.685 (500mm)	19.685	1.787	3.346	2.933	30.800	PP05090500

PureTech - High Purity Piping Systems



Lateral: 60°

Description: Lateral: 60°
PN10 / SDR 11 - 150psi

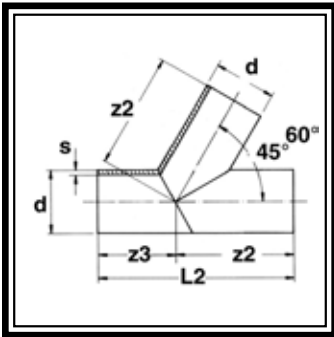
Material: Polypropylene

Execution: Fabricated

Connection: Butt Fusion

PN 10 / SDR 11								
Nominal Size	Actual OD Size	ID Size in	d in	s in	L2 in	z2 in	Weight lbs	SIMTECH PART #
4"	4.331 (110mm)	3.543	4.331	0.394	19.685	12.795	5.148	PP05165110
4½"	4.921 (125mm)	4.024	4.921	0.449	21.457	13.976	7.238	PP05165125
5"	5.512 (140mm)	4.512	5.512	0.500	22.874	14.055	9.548	PP05165140
6"	6.299 (160mm)	5.150	6.299	0.575	25.276	16.220	13.640	PP05165160
7"	7.087 (180mm)	5.795	7.087	0.646	27.559	17.717	18.656	PP05165180
8"	7.874 (200mm)	6.441	7.874	0.717	29.882	19.173	24.640	PP05165200
9"	8.858 (225mm)	7.244	8.858	0.807	32.677	20.866	34.100	PP05165225
10"	9.843 (250mm)	8.055	9.843	0.894	35.630	22.835	45.760	PP05165250
11"	11.024 (280mm)	9.024	11.024	1.000	39.173	24.803	62.260	PP05165280
12"	12.402 (315mm)	10.150	12.402	1.126	42.913	27.165	85.360	PP05165315
14"	13.976 (355mm)	11.441	13.976	1.268	45.472	28.740	113.300	PP05165355
16"	15.748 (400mm)	12.890	15.748	1.429	49.213	31.496	155.760	PP05165400
18"	17.717 (450mm)	14.496	17.717	1.610	52.165	33.465	207.020	PP05165450
20"	19.685 (500mm)	16.110	19.685	1.787	55.118	35.433	313.214	PP05165500

PureTech - High Purity Piping Systems



Lateral: 45°

Description: Lateral: 45°
PN10 / SDR 11 - 150psi

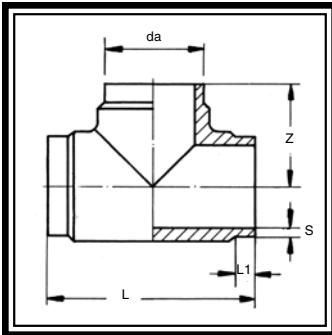
Material: Polypropylene

Execution: Fabricated

Connection: Butt Fusion

PN 10 / SDR 11								
Nominal Size	Actual OD Size	ID Size in	d in	s in	L2 in	z2 in	Weight lbs	SIMTECH PART #
4"	4.331 (110mm)	3.543	4.331	0.394	20.079	16.929	9.504	PP05170110
4½"	4.921 (125mm)	4.024	4.921	0.449	21.654	17.717	7.480	PP05170125
5"	5.512 (140mm)	4.512	5.512	0.500	23.228	18.504	9.856	PP05170140
6"	6.299 (160mm)	5.150	6.299	0.575	28.740	19.685	14.080	PP05170160
7"	7.087 (180mm)	5.795	7.087	0.646	30.709	20.866	24.244	PP05170180
8"	7.874 (200mm)	6.441	7.874	0.717	32.677	21.654	25.520	PP05170200
9"	8.858 (225mm)	7.244	8.858	0.807	34.646	22.835	35.200	PP05170225
10"	9.843 (250mm)	8.055	9.843	0.894	37.008	24.016	48.532	PP05170250
11"	11.024 (280mm)	9.024	11.024	1.000	39.370	25.591	64.240	PP05170280
12"	12.402 (315mm)	10.150	12.402	1.126	43.307	27.559	88.220	PP05170315
14"	13.976 (355mm)	11.441	13.976	1.268	50.394	33.465	117.040	PP05170355
16"	15.748 (400mm)	12.890	15.748	1.429	53.150	35.433	160.820	PP05170400
18"	17.717 (450mm)	14.496	17.717	1.610	56.299	37.402	213.840	PP05170450
20"	19.685 (500mm)	16.110	19.685	1.787	59.055	39.370	340.450	PP05170500

PureTech - High Purity Piping Systems



Tee

Description: Tee
PN10 / SDR 11 - 150psi

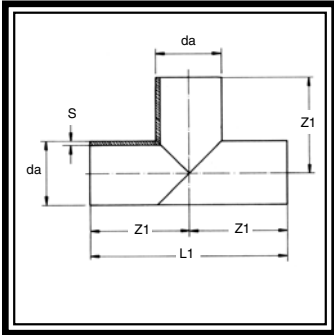
Material: Polypropylene

Execution: Molded

Connection: Butt Fusion

PN 10 / SDR 12								
Nominal Size	Actual OD Size	d in	s in	L in	L1 in	z in	Weight lbs	SIMTECH Part #
½"	0.787 (20mm)	0.787	0.075	3.071	0.394	1.535	0.055	PP05030020
¾"	0.984 (25mm)	0.984	0.091	3.268	0.394	1.575	0.073	PP05030025
1"	1.260 (32mm)	1.260	0.114	3.425	0.394	1.654	0.106	PP05030032
1¼"	1.575 (40mm)	1.575	0.146	3.622	0.472	1.772	0.156	PP05030040
1½"	1.969 (50mm)	1.969	0.181	3.937	0.630	1.969	0.257	PP05030050
2"	2.480 (63mm)	2.480	0.228	5.039	0.748	2.480	0.524	PP05030063
2½"	2.953 (75mm)	2.953	0.268	5.906	1.535	2.953	0.827	PP05030075
3"	3.543 (90mm)	3.543	0.323	7.205	2.165	3.622	1.309	PP05030090
4"	4.331 (110mm)	4.331	0.394	10.039	1.181	5.039	2.871	PP05030110
4½"	4.921 (125mm)	4.921	0.449	9.843	1.378	5.039	3.586	PP05030125
5"	5.512 (140mm)	5.512	0.500	12.362	0.787	6.024	5.379	PP05030140
6"	6.299 (160mm)	6.299	0.575	12.441	1.575	6.220	7.249	PP05030160
7"	7.087 (180mm)	7.087	0.646	16.929	1.772	8.346	12.232	PP05030180
8"	7.874 (200mm)	7.874	0.717	17.047	1.772	8.465	14.916	PP05030200
9"	8.858 (225mm)	8.858	0.807	17.638	1.890	8.819	20.240	PP05030225
10"	9.843 (250mm)	9.843	0.894	17.559	3.228	8.740	23.100	PP05030250
11"	11.024 (280mm)	11.024	1.000	20.669	2.559	10.157	33.660	PP05030280
12"	12.402 (315mm)	12.402	1.126	22.283	3.031	10.945	45.320	PP05030315
14"	13.976 (355mm)	13.976	1.268	27.165	3.780	13.583	68.420	PP05030355
16"	15.748 (400mm)	15.748	1.429	28.425	3.543	13.780	83.600	PP05030400

PureTech - High Purity Piping Systems



Tee

Description: Tee
PN10 / SDR 11 - 150psi

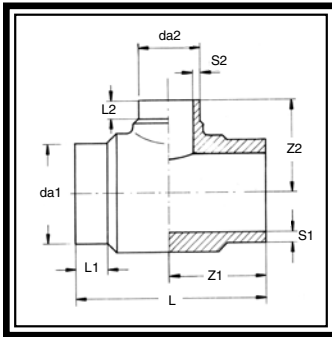
Material: Polypropylene

Execution: Fabricated

Connection: Butt Fusion

PN 10 / SDR 11							
Nominal Size	Actual OD Size	d in	s in	z1 in	L1 in	Weight lbs	SIMTECH PART #
3"	3.543 (90mm)	3.543	0.323	7.677	15.354	2.662	PP05370090
4"	4.331 (110mm)	4.331	0.394	8.071	16.142	3.872	PP05370110
4½"	4.921 (125mm)	4.921	0.449	8.465	16.929	5.214	PP05370125
5"	5.512 (140mm)	5.512	0.500	8.661	17.323	6.622	PP05370140
6"	6.299 (160mm)	6.299	0.575	9.055	18.110	8.932	PP05370160
7"	7.087 (180mm)	7.087	0.646	9.449	18.898	11.660	PP05370180
8"	7.874 (200mm)	7.874	0.717	9.843	19.685	14.850	PP05370200
9"	8.858 (225mm)	8.858	0.807	10.433	20.866	19.712	PP05370225
10"	9.843 (250mm)	9.843	0.894	14.764	29.528	35.640	PP05370250
11"	11.024 (280mm)	11.024	1.000	15.354	30.709	45.980	PP05370280
12"	12.402 (315mm)	12.402	1.126	18.110	36.220	69.080	PP05370315
14"	13.976 (355mm)	13.976	1.268	18.898	37.795	87.560	PP05370355
16"	15.748 (400mm)	15.748	1.429	19.685	39.370	114.620	PP05370400
18"	17.717 (450mm)	17.717	1.610	20.669	41.339	150.700	PP05370450
20"	19.685 (500mm)	19.685	1.787	23.622	47.244	228.800	PP05370500

PureTech - High Purity Piping Systems



Tee: Reduced

Description: Tee: Reduced
PN10 / SDR 11 - 150psi

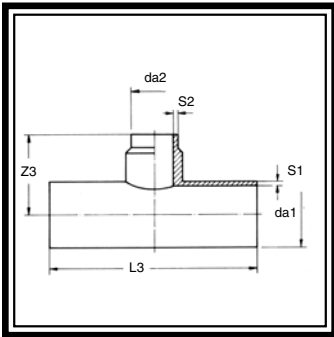
Material: Polypropylene

Execution: Molded

Connection: Butt Fusion

PN 10 / SDR 11												
Nominal Size	Actual OD Size	d1 in	d2 in	S1 in	S2 in	L in	L1 in	L2 in	z1 in	z2 in	Weight lbs	Simtech Part #
3" x 1"	3.543 (90mm) x 1.260 (32mm)	3.543	1.260	0.323	0.114	7.992	2.087	0.906	4.016	3.346	1.232	PP0503090032
4" x 1"	4.331 (110mm) x 1.260 (32mm)	4.331	1.260	0.394	0.114	9.213	2.598	0.866	4.606	3.583	2.068	PP0503110032
4" x 1½"	4.331 (110mm) x 1.969 (50mm)	4.331	1.969	0.394	0.181	9.449	2.598	1.063	4.606	3.976	2.068	PP0503110050
4½" x 2"	4.921 (125mm) x 2.480 (63mm)	4.921	2.480	0.394	0.228	10.394	2.756	1.220	5.197	4.331	3.080	PP0503125063
4½" x 3"	4.921 (125mm) x 3.543 (90mm)	4.921	3.543	0.449	0.323	10.394	1.772	1.654	5.197	4.843	3.520	PP0503125090
5" x 2"	5.512 (140mm) x 2.480 (63mm)	5.512	2.480	0.500	0.228	11.457	3.268	1.260	5.748	4.724	4.136	PP0503140063
5" x 3"	5.512 (140mm) x 3.543 (90mm)	5.512	3.543	0.500	0.323	11.457	3.189	1.614	5.748	5.118	4.224	PP0503140090
5" x 2½"	5.512 (140mm) x 2.953 (75mm)	5.512	2.953	0.500	0.268	11.457	3.189	1.378	5.748	5.118	2.948	PP0503140075
5" x 4"	5.512 (140mm) x 4.331 (110mm)	5.512	4.331	0.500	0.394	11.457	1.969	1.732	5.748	5.512	4.928	PP0503140110
5" x 4½"	5.512 (140mm) x 4.921 (125mm)	6.299	4.921	0.575	0.449	12.402	2.283	1.850	6.220	5.906	6.556	PP0503160125
6" x 2"	6.299 (160mm) x 2.480 (63mm)	7.087	2.480	0.646	0.228	13.701	4.921	1.181	6.850	5.512	7.348	PP0503180063
6" x 2½"	6.299 (160mm) x 2.953 (75mm)	7.087	2.953	0.646	0.268	13.701	4.409	1.181	6.850	6.299	7.700	PP0503180075
7" x 4"	7.087 (180mm) x 4.331 (110mm)	7.087	4.331	0.646	0.394	13.701	3.622	1.969	6.850	5.906	8.580	PP0503180110
8" x 2"	7.874 (200mm) x 2.480 (63mm)	7.874	2.480	0.717	0.228	15.039	5.630	1.220	7.520	5.709	10.340	PP0503200063
8" x 3"	7.874 (200mm) x 3.543 (90mm)	7.874	3.543	0.717	0.323	15.354	4.961	1.575	7.677	6.378	9.944	PP0503200090
8" x 4"	7.874 (200mm) x 4.331 (110mm)	7.874	4.331	0.717	0.394	15.354	4.803	1.575	7.677	6.299	9.856	PP0503200110
8" x 4½"	7.874 (200mm) x 4.921 (125mm)	7.874	4.921	0.717	0.449	15.354	4.488	1.693	7.677	6.496	14.476	PP0503200125
8" x 6"	7.874 (200mm) x 6.299 (160mm)	7.874	6.299	0.717	0.575	15.354	3.858	2.362	6.496	7.087	10.560	PP0503200160
10" x 6"	9.843 (250mm) x 6.299 (160mm)	9.843	6.299	0.894	0.575	17.323	4.331	2.283	8.661	8.386	17.358	PP0503250160
10" x 4"	9.843 (250mm) x 4.331 (110mm)	9.843	4.331	0.894	0.394	17.441	5.315	1.299	8.740	7.677	17.600	PP0503250160

PureTech - High Purity Piping Systems



Tee: Reduced

Description: Tee: Reduced
PN10 / SDR 11 - 150psi

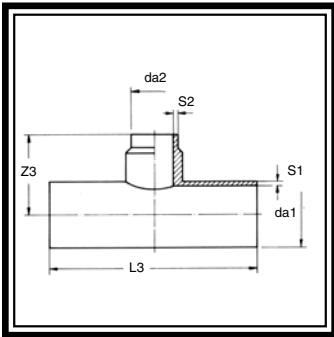
Material: Polypropylene

Execution: Fabricated

Connection: Butt Fusion

PN 10 / SDR11									
Nominal Size	Actual OD Size	d1 in	d2 in	e1 in	e2 in	L3 in	Z3 in	Weight2 in	SIMTECH PART #
3" x 1½"	3.543 (90mm) x 1.969 (50mm)	3.543	1.969	0.323	0.181	9.843	3.740	1.188	PP05360090050
3" x 2"	3.543 (90mm) x 2.480 (63mm)	3.543	2.480	0.323	0.228	10.433	3.740	1.144	PP05360090063
4" x 1½"	4.331 (110mm) x 1.969 (50mm)	4.331	1.969	0.394	0.181	9.843	4.134	1.782	PP05360110050
4" x 2"	4.331 (110mm) x 2.480 (63mm)	4.331	2.480	0.394	0.228	10.433	4.134	1.958	PP05360110063
4" x 2½"	4.331 (110mm) x 2.953 (75mm)	4.331	2.953	0.394	0.268	10.827	4.134	2.112	PP05360110075
4½" x 1½"	4.921 (125mm) x 1.969 (50mm)	4.921	1.969	0.449	0.181	9.843	4.528	2.288	PP05360125050
4½" x 2"	4.921 (125mm) x 2.480 (63mm)	4.921	2.480	0.449	0.228	10.433	4.528	3.058	PP05360125063
4½" x 2½"	4.921 (125mm) x 2.953 (75mm)	4.921	2.953	0.449	0.268	10.827	4.528	2.728	PP05360125075
4½" x 3"	4.921 (125mm) x 3.543 (90mm)	4.921	3.543	0.449	0.323	11.417	4.528	3.014	PP05360125090
5" x 2"	5.512 (140mm) x 2.480 (63mm)	5.512	2.480	0.500	0.228	10.433	4.724	3.124	PP05360140063
5" x 2½"	5.512 (140mm) x 2.953 (75mm)	5.512	2.953	0.500	0.268	10.827	4.724	3.366	PP05360140075
5" x 3"	5.512 (140mm) x 3.543 (90mm)	5.512	3.543	0.500	0.323	11.417	4.724	3.696	PP05360140090
5" x 4"	5.512 (140mm) x 4.331 (110mm)	5.512	4.331	0.500	0.394	12.205	4.724	0.420	PP05360140110
6" x 2"	6.299 (160mm) x 2.480 (63mm)	6.299	2.480	0.575	0.228	10.433	5.118	4.070	PP05360160063
6" x 2½"	6.299 (160mm) x 2.953 (75mm)	6.299	2.953	0.575	0.268	10.827	5.118	4.334	PP05360160075
6" x 3"	6.299 (160mm) x 3.543 (90mm)	6.299	3.543	0.575	0.323	11.417	5.118	4.752	PP05360160090
6" x 4"	6.299 (160mm) x 4.331 (110mm)	6.299	4.331	0.575	0.394	12.205	5.118	5.324	PP05360160110
7" x 2½"	7.087 (180mm) x 2.953 (75mm)	7.087	2.953	0.646	0.268	10.827	5.512	5.434	PP05360180075
7" x 3"	7.087 (180mm) x 3.543 (90mm)	7.087	3.543	0.646	0.323	11.417	5.512	7.414	PP05360180090
7" x 4"	7.087 (180mm) x 4.331 (110mm)	7.087	4.331	0.646	0.394	12.205	5.512	6.270	PP05360180110
7" x 5"	7.087 (180mm) x 5.512 (140mm)	7.087	5.512	0.646	0.500	17.323	7.480	10.164	PP05360180140
8" x 2½"	7.874 (200mm) x 2.953 (75mm)	7.874	2.953	0.717	0.268	10.827	5.906	6.666	PP05360200075
8" x 3"	7.874 (200mm) x 3.543 (90mm)	7.874	3.543	0.717	0.323	11.417	5.906	7.238	PP05360200090
8" x 4"	7.874 (200mm) x 4.331 (110mm)	7.874	4.331	0.717	0.394	12.205	5.906	8.008	PP05360200110
8" x 5"	7.874 (200mm) x 5.512 (140mm)	7.874	5.512	0.717	0.500	17.323	7.874	12.210	PP05360200140
8" x 6"	7.874 (200mm) x 6.299 (160mm)	7.874	6.299	0.717	0.575	18.110	7.874	13.332	PP05360200160

PureTech - High Purity Piping Systems



Tee: Reduced

Description: Tee: Reduced
PN10 / SDR 11 - 150psi

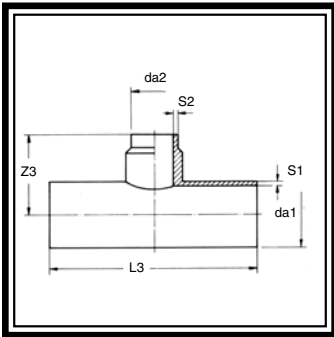
Material: Polypropylene

Execution: Fabricated

Connection: Butt Fusion

PN 10 / SDR11									
Nominal Size	Actual OD Size	d1 in	d2 in	e1 in	e2 in	L3 in	Z3 in	Weight2 in	SIMTECH PART #
9" x 2½"	8.858 (225mm) x 2.953 (75mm)	8.858	2.953	0.807	0.268	10.827	6.496	8.338	PP05360225075
9" x 3"	8.858 (225mm) x 3.543 (90mm)	8.858	3.543	0.807	0.323	11.417	6.496	9.020	PP05360225090
9" x 4"	8.858 (225mm) x 4.331 (110mm)	8.858	4.331	0.807	0.394	12.205	6.496	9.966	PP05360225110
9" x 5"	8.858 (225mm) x 5.512 (140mm)	8.858	5.512	0.807	0.500	17.323	8.465	14.982	PP05360225140
9" x 6"	8.858 (225mm) x 6.299 (160mm)	8.858	6.299	0.807	0.575	18.110	8.465	18.502	PP05360225160
9" x 7"	8.858 (225mm) x 7.087 (180mm)	8.858	7.087	0.807	0.646	18.898	8.465	20.438	PP05360225180
10" x 3"	9.843 (250mm) x 3.543 (90mm)	9.843	3.543	0.894	0.323	11.417	6.890	10.978	PP05360250090
10" x 4"	9.843 (250mm) x 4.331 (110mm)	9.843	4.331	0.894	0.394	12.205	6.890	11.220	PP05360250110
10" x 5"	9.843 (250mm) x 5.512 (140mm)	9.843	5.512	0.894	0.500	17.323	8.858	18.106	PP05360250140
10" x 6"	9.843 (250mm) x 6.299 (160mm)	9.843	6.299	0.894	0.575	18.110	8.858	19.580	PP05360250160
10" x 7"	9.843 (250mm) x 7.087 (180mm)	9.843	7.087	0.894	0.646	18.898	8.858	2.116	PP05360250180
10" x 8"	9.843 (250mm) x 7.874 (200mm)	9.843	7.874	0.894	0.717	19.685	8.858	22.858	PP05360250200
11" x 3"	11.024 (280mm) x 3.543 (90mm)	11.024	3.543	1.000	0.323	11.417	7.480	13.706	PP05360280090
11" x 4"	11.024 (280mm) x 4.331 (110mm)	11.024	4.331	1.000	0.394	12.205	7.480	15.026	PP05360280110
11" x 5"	11.024 (280mm) x 5.512 (140mm)	11.024	5.512	1.000	0.500	17.323	9.449	22.198	PP05360280140
11" x 6"	11.024 (280mm) x 6.299 (160mm)	11.024	6.299	1.000	0.575	18.110	9.449	23.078	PP05360280160
11" x 7"	11.024 (280mm) x 7.087 (180mm)	11.024	7.087	1.000	0.646	18.898	9.449	25.762	PP05360280180
11" x 8"	11.024 (280mm) x 7.874 (200mm)	11.024	7.874	1.000	0.717	19.685	9.449	27.720	PP05360280200
11" x 9"	11.024 (280mm) x 8.858 (225mm)	11.024	8.858	1.000	0.807	20.669	9.449	26.290	PP05360280225
12" x 4"	12.402 (315mm) x 4.331 (110mm)	12.402	4.331	1.126	0.394	12.205	8.268	18.854	PP05360315110
12" x 5"	12.402 (315mm) x 5.512 (140mm)	12.402	5.512	1.126	0.500	17.323	10.236	27.676	PP05360315140
12" x 6"	12.402 (315mm) x 6.299 (160mm)	12.402	6.299	1.126	0.575	18.110	10.236	27.126	PP05360315160
12" x 7"	12.402 (315mm) x 7.087 (180mm)	12.402	7.087	1.126	0.646	18.898	10.236	31.856	PP05360315180
12" x 8"	12.402 (315mm) x 7.874 (200mm)	12.402	7.874	1.126	0.717	19.685	10.236	34.100	PP05360315200
12" x 9"	12.402 (315mm) x 8.858 (225mm)	12.402	8.858	1.126	0.807	20.669	10.236	37.070	PP05360315225
12" x 10"	12.402 (315mm) x 9.843 (250mm)	12.402	9.843	1.126	0.894	21.654	10.236	40.238	PP05360315250
14" x 4"	13.976 (355mm) x 4.331 (110mm)	13.976	4.331	1.268	0.394	12.205	9.055	23.716	PP05360355110
14" x 5"	13.976 (355mm) x 5.512 (140mm)	13.976	5.512	1.268	0.500	17.323	11.024	34.584	PP05360355140
14" x 6"	13.976 (355mm) x 6.299 (160mm)	13.976	6.299	1.268	0.575	18.110	11.024	37.004	PP05360355160

PureTech - High Purity Piping Systems



Tee: Reduced

Description: Tee: Reduced
PN10 / SDR 11 - 150psi

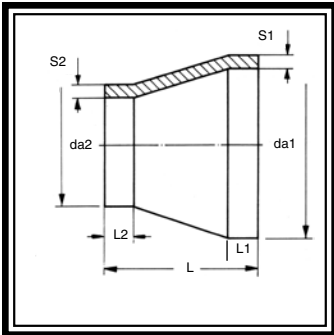
Material: Polypropylene

Execution: Fabricated

Connection: Butt Fusion

PN 10 / SDR11									
Nominal Size	Actual OD Size	d1 in	d2 in	e1 in	e2 in	L3 in	Z3 in	Weight2 in	SIMTECH PART #
14" x 7"	13.976 (355mm) x 7.087 (180mm)	13.976	7.087	1.268	0.646	18.898	11.024	39.490	PP05360355180
14" x 8"	13.976 (355mm) x 7.874 (200mm)	13.976	7.874	1.268	0.717	19.685	11.024	42.152	PP05360355200
14" x 9"	13.976 (355mm) x 8.858 (225mm)	13.976	8.858	1.268	0.807	20.669	11.024	45.540	PP05360355225
14" x 10"	13.976 (355mm) x 9.843 (250mm)	13.976	9.843	1.268	0.894	21.654	11.024	49.324	PP05360355250
14" x 11"	13.976 (355mm) x 11.024 (280mm)	13.976	11.024	1.268	1.000	22.835	11.417	54.450	PP05360355280
16" x 5"	15.748 (400mm) x 5.512 (140mm)	15.748	5.512	1.429	0.500	17.323	11.811	43.318	PP05360400140
16" x 6"	15.748 (400mm) x 6.299 (160mm)	15.748	6.299	1.429	0.575	18.110	11.811	47.278	PP05360400160
16" x 7"	15.748 (400mm) x 7.087 (180mm)	15.748	7.087	1.429	0.646	18.898	11.811	49.148	PP05360400180
16" x 8"	15.748 (400mm) x 7.874 (200mm)	15.748	7.874	1.429	0.717	19.685	11.811	52.294	PP05360400200
16" x 9"	15.748 (400mm) x 8.858 (225mm)	15.748	8.858	1.429	0.807	20.669	11.811	56.342	PP05360400225
16" x 10"	15.748 (400mm) x 9.843 (250mm)	15.748	9.843	1.429	0.894	21.654	11.811	60.676	PP05360400250
16" x 11"	15.748 (400mm) x 11.024 (280mm)	15.748	11.024	1.429	1.000	22.835	11.811	66.110	PP05360400280
18" x 5"	17.717(450mm) x 5.512 (140mm)	17.717	5.512	1.610	0.500	17.323	12.795	54.252	PP05360450140
18" x 6"	17.717(450mm) x 6.299 (160mm)	17.717	6.299	1.610	0.575	18.110	12.795	57.662	PP05360450160
18" x 7"	17.717(450mm) x 7.087 (180mm)	17.717	7.087	1.610	0.646	18.898	12.795	61.226	PP05360450180
18" x 8"	17.717(450mm) x 7.874 (200mm)	17.717	7.874	1.610	0.717	19.685	12.795	64.966	PP05360450200
18" x 9"	17.717(450mm) x 8.858 (225mm)	17.717	8.858	1.610	0.807	20.669	12.795	69.762	PP05360450225
18" x 10"	17.717(450mm) x 9.843 (250mm)	17.717	9.843	1.610	0.894	21.654	12.795	74.866	PP05360450250
18" x 11"	17.717(450mm) x 11.024 (280mm)	17.717	11.024	1.610	1.000	22.835	12.795	81.246	PP05360450280
18" x 12"	17.717(450mm) x 12.402 (315mm)	17.717	12.402	1.610	1.126	24.213	12.795	89.144	PP05360450315
20" x 6"	19.685 (500mm) x 6.299 (160mm)	19.685	6.299	1.787	0.575	18.110	13.780	70.378	PP05360500160
20" x 7"	19.685 (500mm) x 7.087 (180mm)	19.685	7.087	1.787	0.646	18.898	13.780	74.558	PP05360500180
20" x 8"	19.685 (500mm) x 7.874 (200mm)	19.685	7.874	1.787	0.717	19.685	13.780	78.958	PP05360500200
20" x 9"	19.685 (500mm) x 8.858 (225mm)	19.685	8.858	1.787	0.807	20.669	13.780	84.568	PP05360500225
20" x 10"	19.685 (500mm) x 9.843 (250mm)	19.685	9.843	1.787	0.894	21.654	13.780	90.728	PP05360500250
20" x 11"	19.685 (500mm) x 11.024 (280mm)	19.685	11.024	1.787	1.000	22.835	13.780	97.922	PP05360500280
20" x 12"	19.685 (500mm) x 12.402 (315mm)	19.685	12.402	1.787	1.126	24.213	13.780	107.052	PP05360500315
20" x 14"	19.685 (500mm) x 13.976 (355mm)	19.685	13.976	1.787	1.268	25.787	13.780	118.074	PP05360500355

PureTech - High Purity Piping Systems



Reducer

Description: Reducer
PN10 / SDR 11 - 150psi

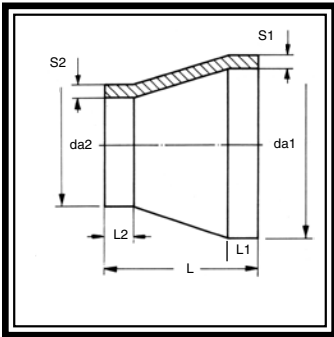
Material: Polypropylene

Execution: Molded

Connection: Butt Fusion

PN 10 / SDR 11										
Nominal Size	Actual OD Size	d1 in	d2 in	s1 in	s2 in	L in	L1 in	L2 in	Weight Lbs	SIMTECH Part #
¾" x ½"	0.984 (25mm) x 0.787 (20mm)	0.984	0.787	0.091	0.075	0.945	0.354	0.236	0.011	PP0504025020
1" x ½"	1.260 (32mm) x 0.787 (20mm)	1.260	0.787	0.114	0.075	1.614	0.709	0.472	0.022	PP0504036020
1" x ¾"	1.260 (32mm) x 0.984 (25mm)	1.260	0.984	0.114	0.091	1.732	0.669	0.512	0.022	PP0504032025
1¼" x ½"	1.575 (40mm) x 0.787 (20mm)	1.575	0.787	0.146	0.075	1.969	0.709	0.512	0.042	PP0504040020
1¼" x ¾"	1.575 (40mm) x 0.984 (25mm)	1.575	0.984	0.146	0.091	1.575	0.394	0.236	0.037	PP0504040025
1¼" x 1"	1.575 (40mm) x 1.260 (32mm)	1.575	1.260	0.146	0.114	1.575	0.394	0.315	0.042	PP0504040032
1½" x ¾"	1.969 (50mm) x 0.984 (25mm)	1.969	0.984	0.181	0.091	1.969	0.472	0.236	0.053	PP0504050025
1½" x 1"	1.969 (50mm) x 1.260 (32mm)	1.969	1.260	0.181	0.114	1.969	0.472	0.315	0.057	PP0504050032
1½" x 1¼"	1.969 (50mm) x 1.575 (40mm)	1.969	1.575	0.181	0.146	1.969	0.472	0.394	0.064	PP0504050040
2" x 1"	2.480 (63mm) x 1.260 (32mm)	2.480	1.260	0.228	0.114	2.362	0.630	0.315	0.103	PP0504063032
2" x 1¼"	2.480 (63mm) x 1.575 (40mm)	2.480	1.575	0.228	0.146	2.362	0.630	0.394	0.114	PP0504063040
2" x 1½"	2.480 (63mm) x 1.969 (50mm)	2.480	1.969	0.228	0.181	2.362	0.630	0.472	0.130	PP0504063050
2½" x 1"	2.953 (75mm) x 1.260 (32mm)	2.953	1.260	0.268	0.114	2.756	0.984	0.394	0.132	PP0504075032
2½" x 1¼"	2.953 (75mm) x 1.575 (40mm)	2.953	1.575	0.268	0.146	2.756	1.181	0.984	0.165	PP0504075040
2½" x 1½"	2.953 (75mm) x 1.969 (50mm)	2.953	1.969	0.268	0.181	2.756	1.181	1.102	0.161	PP0504075050
2½" x 2"	2.953 (75mm) x 2.480 (63mm)	2.953	2.480	0.268	0.228	3.150	0.984	0.984	0.128	PP0504075063
3" x 1½"	3.543 (90mm) x 1.969 (50mm)	3.543	1.969	0.323	0.181	2.913	0.827	0.472	0.262	PP0504090050
3" x 2"	3.543 (90mm) x 2.480 (63mm)	3.543	2.480	0.323	0.228	2.913	0.827	0.630	0.282	PP0504090063
3" x 2½"	3.543 (90mm) x 2.953 (75mm)	3.543	2.953	0.323	0.268	2.913	0.827	0.748	0.312	PP0504090075
4" x 1½"	4.331 (110mm) x 1.969 (50mm)	4.331	1.969	0.394	0.181	3.543	1.102	0.551	0.433	PP0504110050
4" x 2"	4.331 (110mm) x 2.480 (63mm)	4.331	2.480	0.394	0.228	4.134	1.575	1.378	0.585	PP0504110063
4" x 2½"	4.331 (110mm) x 2.953 (75mm)	4.331	2.953	0.394	0.268	3.543	1.063	0.787	0.475	PP0504110075
4" x 3"	4.331 (110mm) x 3.543 (90mm)	4.331	3.543	0.394	0.323	3.937	1.575	1.575	0.647	PP0504110090
4½" x 2"	4.921 (125mm) x 2.480 (63mm)	4.921	2.480	0.449	0.228	4.724	1.575	1.378	0.792	PP0504121506
4½" x 2½"	4.921 (125mm) x 2.953 (75mm)	4.921	2.953	0.449	0.268	3.937	1.181	0.787	0.660	PP0504125075
4½" x 3"	4.921 (125mm) x 3.543 (90mm)	4.921	3.543	0.449	0.323	4.331	1.575	1.575	0.836	PP0504125090
4½" x 4"	4.921 (125mm) x 4.331 (110mm)	4.921	4.331	0.449	0.394	4.016	1.575	1.575	0.834	PP0504125110
5" x 2½"	5.512 (140mm) x 2.953 (75mm)	5.512	2.953	0.500	0.268	4.331	1.969	1.457	0.528	PP0504140075
5" x 3"	5.512 (140mm) x 3.543 (90mm)	5.512	3.543	0.500	0.323	4.331	1.969	1.535	0.572	PP0504140090

PureTech - High Purity Piping Systems



Reducer

Description: Reducer
PN10 / SDR 11 - 150psi

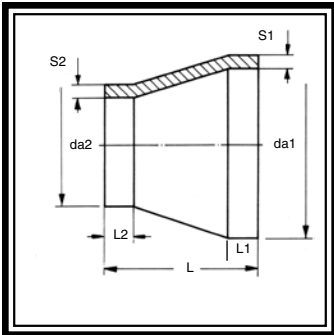
Material: Polypropylene

Execution: Molded

Connection: Butt Fusion

PN 10 / SDR 11										
Nominal Size	Actual OD Size	d1 in	d2 in	s1 in	s2 in	L in	L1 in	L2 in	Weight Lbs	SIMTECH Part #
5" x 4"	5.512 (140mm) x 4.331 (110mm)	5.512	4.331	0.500	0.394	4.331	1.969	1.772	0.506	PP0504140110
5" x 4"	5.512 (140mm) x 4.921 (125mm)	5.512	4.921	0.500	0.449	4.331	1.969	1.772	0.528	PP0504140125
6" x 3"	6.299 (160mm) x 3.543 (90mm)	6.299	3.543	0.575	0.323	5.512	1.969	1.575	1.562	PP0504160090
6" x 4"	6.299 (160mm) x 4.331 (110mm)	6.299	4.331	0.575	0.394	5.039	1.969	1.575	1.584	PP0504160110
6" x 4½"	6.299 (160mm) x 4.921 (125mm)	6.299	4.921	0.575	0.449	4.803	1.969	1.575	1.573	PP0504160125
6" x 5"	6.299 (160mm) x 5.512 (140mm)	6.299	5.512	0.575	0.500	4.724	1.969	1.772	1.617	PP0504160140
7" x 3"	7.087 (180mm) x 3.543 (90mm)	7.087	3.543	0.646	0.323	5.512	1.969	1.575	1.188	PP0504180090
7" x 4"	7.087 (180mm) x 4.331 (110mm)	7.087	4.331	0.646	0.394	5.118	2.165	1.575	1.166	PP0504180110
7" x 4½"	7.087 (180mm) x 4.921 (125mm)	7.087	4.921	0.646	0.449	5.512	1.969	1.575	1.078	PP0504180125
7" x 5"	7.087 (180mm) x 5.512 (140mm)	7.087	5.512	0.646	0.500	5.118	2.165	2.165	1.012	PP0504180140
7" x 6"	7.087 (180mm) x 6.299 (160mm)	7.087	6.299	0.646	0.575	5.118	2.165	1.969	1.012	PP0504180160
8" x 5"	7.874 (200mm) x 5.512 (140mm)	7.874	5.512	0.717	0.500	5.315	2.362	1.772	1.430	PP0504220140
8" x 6"	7.874 (200mm) x 6.299 (160mm)	7.874	6.299	0.717	0.575	5.709	2.362	1.969	2.816	PP0504220160
8" x 7"	7.874 (200mm) x 7.087 (180mm)	7.874	7.087	0.717	0.646	5.315	2.362	2.165	1.188	PP0504220180
9" x 5"	8.858 (225mm) x 5.512 (140mm)	8.858	5.512	0.807	0.500	5.906	2.362	1.772	3.421	PP0504225140
9" x 6"	8.858 (225mm) x 6.299 (160mm)	8.858	6.299	0.807	0.575	6.299	2.362	1.969	3.619	PP0504225160
9" x 7"	8.858 (225mm) x 7.087 (180mm)	8.858	7.087	0.807	0.646	6.299	2.362	2.165	3.850	PP0504225180
9" x 8"	8.858 (225mm) x 7.874 (200mm)	8.858	7.874	0.807	0.717	6.299	2.362	2.362	1.540	PP0504225200
10" x 6"	9.843 (250mm) x 6.299 (160mm)	9.843	6.299	0.894	0.575	6.693	2.362	1.969	4.730	PP0504250160
10" x 7"	9.843 (250mm) x 7.087 (180mm)	9.843	7.087	0.894	0.646	6.890	2.362	2.165	5.027	PP0504250180
10" x 8"	9.843 (250mm) x 7.874 (200mm)	9.843	7.874	0.894	0.717	7.087	2.362	2.362	5.500	PP0504250200
10" x 9"	9.843 (250mm) x 8.858 (225mm)	9.843	8.858	0.894	0.807	7.087	2.362	2.362	6.050	PP0504250225
11" x 8"	11.024 (280mm) x 7.874 (200mm)	11.024	7.874	1.000	0.717	7.874	2.756	1.969	7.216	PP0504280200
11" x 9"	11.024 (280mm) x 8.858 (225mm)	11.024	8.858	1.000	0.807	7.874	2.756	2.165	8.272	PP0504280225
11" x 10"	11.024 (280mm) x 9.843 (250mm)	11.024	9.843	1.000	0.894	7.874	2.756	2.362	8.096	PP0504280250
12" x 8"	12.402 (315mm) x 7.874 (200mm)	12.402	7.874	1.126	0.717	9.724	3.150	1.969	9.944	PP0504315200
12" x 9"	12.402 (315mm) x 8.858 (225mm)	12.402	8.858	1.126	0.807	8.858	3.150	2.165	10.472	PP0504315225
12" x 10"	12.402 (315mm) x 9.843 (250mm)	12.402	9.843	1.126	0.894	8.858	3.150	2.362	11.000	PP0504315250
12" x 11"	12.402 (315mm) x 11.024 (280mm)	12.402	11.024	1.126	1.000	8.858	3.150	2.756	11.704	PP0504315280

PureTech - High Purity Piping Systems



Reducer

Description: Reducer
PN10 / SDR 11 - 150psi

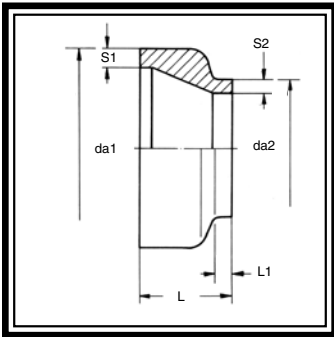
Material: Polypropylene

Execution: Molded

Connection: Butt Fusion

PN 10 / SDR 11										
Nominal Size	Actual OD Size	d1 in	d2 in	s1 in	s2 in	L in	L1 in	L2 in	Weight Lbs	SIMTECH Part #
14" x 9"	13.976 (355mm) x 8.858 (225mm)	13.976	8.858	1.268	0.807	9.646	3.543	2.362	9.372	PP0504355225
14" x 10"	13.976 (355mm) x 9.843 (250mm)	13.976	9.843	1.268	0.894	9.646	3.543	2.362	8.668	PP0504355250
14" x 11"	13.976 (355mm) x 11.024 (280mm)	13.976	11.024	1.268	1.000	9.646	3.543	2.756	8.184	PP0504355280
14" x 12"	13.976 (355mm) x 12.402 (315mm)	13.976	12.402	1.268	1.126	9.646	3.543	3.150	7.788	PP0504355315
16" x 9"	15.748 (400mm) x 8.858 (225mm)	15.748	8.858	1.429	0.807	6.299	2.520	1.575	14.960	PP0504400225
16" x 10"	15.748 (400mm) x 9.843 (250mm)	15.748	9.843	1.429	0.894	5.906	2.402	1.575	14.300	PP0504400250
16" x 11"	15.748 (400mm) x 11.024 (280mm)	15.748	11.024	1.429	1.000	5.512	2.362	1.575	13.640	PP0504400280
16" x 12"	15.748 (400mm) x 12.402 (315mm)	15.748	12.402	1.429	1.126	4.724	1.969	1.575	11.660	PP0504400315
16" x 14"	15.748 (400mm) x 13.976 (355mm)	15.748	13.976	1.429	1.268	4.331	2.008	1.575	10.560	PP0504400355
18" x 11"	17.717 (450mm) x 11.024 (280mm)	17.717	11.024	1.610	1.000	6.299	2.559	1.575	19.800	PP0504450280
18" x 12"	17.717 (450mm) x 12.402 (315mm)	17.717	12.402	1.610	1.126	5.512	2.165	1.575	17.600	PP0504450315
18" x 14"	17.717 (450mm) x 13.976 (355mm)	17.717	13.976	1.610	1.268	5.118	2.244	1.575	16.280	PP0504450355
18" x 16"	17.717 (450mm) x 15.748 (400mm)	17.717	15.748	1.610	1.429	4.724	2.362	1.575	14.520	PP0504450400

PureTech - High Purity Piping Systems



Reducer

Description: Reducer
PN10 / SDR 11 - 150psi

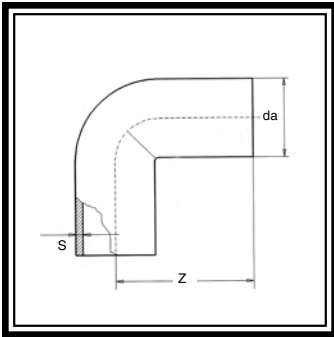
Material: Polypropylene

Execution: Machined

Connection: Butt Fusion

PN 10 / SDR 11										
Nominal Size	Actual OD Size	d1 in	d2 in	s1 in	s2 in	L in	L1 in	L2 in	Weight Lbs	SIMTECH Part #
20" x 12"	19.685 (500mm) x 12.402 (315mm)	19.685	12.402	1.787	1.126	6.693	2.795	1.575	26.400	PP0504500315
20" x 14"	19.685 (500mm) x 13.976 (355mm)	19.685	13.976	1.787	1.268	5.906	2.441	1.575	23.760	PP0504500355
20" x 16"	19.685 (500mm) x 15.748 (400mm)	19.685	15.748	1.787	1.429	5.512	2.559	1.575	22.000	PP0504500400
20" x 16"	19.685 (500mm) x 17.717 (450mm)	19.685	17.717	1.787	1.610	4.724	2.362	1.575	18.260	PP0504500450
22" x 16"	22.047 (560mm) x 15.748 (400mm)	22.047	15.748	2.000	1.429	6.299	2.677	1.575	32.340	PP0504560400
22" x 18"	22.047 (560mm) x 17.717 (450mm)	22.047	17.717	2.000	1.610	5.512	2.441	1.575	28.380	PP0504560450
22" x 20"	22.047 (560mm) x 19.685 (500mm)	22.047	19.685	2.000	1.787	5.118	2.638	1.575	25.080	PP0504560500
24" x 16"	24.803 (630mm) x 15.748 (400mm)	24.803	15.748	2.252	1.429	7.480	3.071	1.575	49.060	PP0504630400
24" x 18"	24.803 (630mm) x 17.717 (450mm)	24.803	17.717	2.252	1.610	6.693	2.835	1.575	44.440	PP0504630450
24" x 20"	24.803 (630mm) x 19.685 (500mm)	24.803	19.685	2.252	1.787	5.906	2.638	1.575	39.160	PP0504630500
24" x 22"	24.803 (630mm) x 22.047 (560mm)	24.803	22.047	2.252	2.000	5.118	2.520	1.575	32.560	PP0504630560

PureTech - High Purity Piping Systems



Elbow 90° - Extended Leg

Description: Elbow 90° - Extended Leg
PN10 / SDR 11 - 150psi

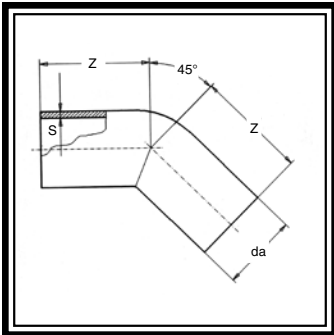
Material: Polypropylene

Execution: Molded

Connection: Butt Fusion

PN 10 / SDR 11							
Nominal Size	Actual OD Size	d in	s in	le in	z in	Weight lbs	SIMTECH Part #
½"	0.787 (20mm)	0.787	0.075	1.575	2.953	0.046	PP05150020
¾"	0.984 (25mm)	0.984	0.091	1.772	3.228	0.073	PP05150025
1"	1.260 (32mm)	1.260	0.114	1.969	3.858	0.136	PP05150032
1¼"	1.575 (40mm)	1.575	0.146	2.165	4.252	0.240	PP05150040
1½"	1.969 (50mm)	1.969	0.181	3.150	4.409	0.365	PP05150050
2"	2.480 (63mm)	2.480	0.228	3.150	4.724	0.587	PP05150063
2½"	2.953 (75mm)	2.953	0.268	3.543	5.315	0.906	PP05150075
3"	3.543 (90mm)	3.543	0.323	3.543	5.709	1.375	PP05150090
4"	4.331 (110mm)	4.331	0.394	3.937	6.496	2.288	PP05150110
4½"	4.921 (125mm)	4.921	0.449	3.937	6.811	2.508	PP05150125
5"	5.512 (140mm)	5.512	0.500	4.724	7.874	4.070	PP05150140
6"	6.299 (160mm)	6.299	0.575	5.433	9.252	7.128	PP05150160
7"	7.087 (180mm)	7.087	0.646	5.433	9.646	9.251	PP05150180
8"	7.874 (200mm)	7.874	0.717	5.906	10.433	12.419	PP05150200
9"	8.858 (225mm)	8.858	0.807	5.906	11.024	16.324	PP05150225
10"	9.843 (250mm)	9.843	0.894	5.118	11.614	19.492	PP05150250
11"	11.024 (280mm)	11.024	1.000	5.512	12.795	26.906	PP05150280
12"	12.402 (315mm)	12.402	1.126	5.906	14.961	38.654	PP05150315

PureTech - High Purity Piping Systems



Elbow 45° - Extended Leg

Description: Elbow 45° - Extended Leg
PN10 / SDR 11 - 150psi

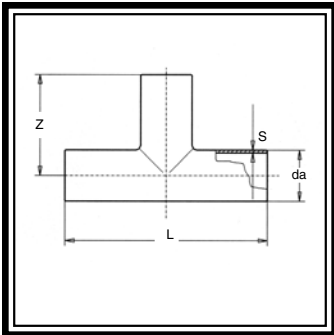
Material: Polypropylene

Execution: Molded

Connection: Butt Fusion

PN 10 / SDR 11								
Nominal Size	Actual OD Size	ID Size in	d in	s in	le in	z in	Weight lbs	SIMTECH Part #
1/2"	0.787 (20mm)	0.638	0.787	0.075	2.008	2.756	0.048	PP05160020
3/4"	0.984 (25mm)	0.803	0.984	0.091	2.165	2.953	0.077	PP05160025
1"	1.260 (32mm)	1.031	1.260	0.114	2.717	3.543	0.139	PP05160032
1 1/4"	1.575 (40mm)	1.283	1.575	0.146	2.756	3.937	0.220	PP05160040
1 1/2"	1.969 (50mm)	1.606	1.969	0.181	2.362	4.331	0.264	PP05160050
2"	2.480 (63mm)	2.024	2.480	0.228	2.559	4.528	0.477	PP05160063
2 1/2"	2.953 (75mm)	2.417	2.953	0.268	2.756	5.118	0.638	PP05160075
3"	3.543 (90mm)	2.898	3.543	0.323	3.150	5.512	0.990	PP05160090
4"	4.331 (110mm)	3.543	4.331	0.394	3.543	6.299	1.705	PP05160110
4 1/2"	4.921 (125mm)	4.024	4.921	0.449	3.740	6.693	2.464	PP05160125
5"	5.512 (140mm)	4.512	5.512	0.500	4.724	7.874	2.904	PP05160140
6"	6.299 (160mm)	5.150	6.299	0.575	5.512	9.055	5.423	PP05160160
7"	7.087 (180mm)	5.795	7.087	0.646	5.512	9.646	7.062	PP05160180
8"	7.874 (200mm)	6.441	7.874	0.717	5.906	10.433	10.175	PP05160200
9"	8.858 (225mm)	7.244	8.858	0.807	5.906	11.024	12.210	PP05160225
10"	9.843 (250mm)	8.055	9.843	0.894	5.118	8.661	17.358	PP05160250
11"	11.024 (280mm)	9.024	11.024	1.000	5.512	9.055	22.374	PP05160280
12"	12.402 (315mm)	10.150	12.402	1.126	5.906	9.843	25.718	PP05160315

PureTech - High Purity Piping Systems



Tee - Extended Leg

Description: Tee - Extended Leg
PN10 / SDR 11 - 150psi

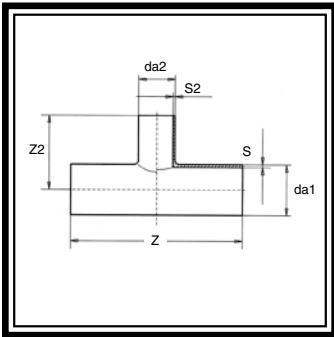
Material: Polypropylene

Execution: Molded

Connection: Butt Fusion

PN 10 / SDR 11								
Nominal Size	Actual OD Size	d in	s in	L in	L1 in	z in	Weight lbs	SIMTECH Part #
1/2"	0.787 (20mm)	0.787	0.07	4.17	1.57	2.05	0.04	PP05240020
3/4"	0.984 (25mm)	0.984	0.09	4.72	1.73	2.36	0.09	PP05240025
1"	1.260 (32mm)	1.260	0.11	5.35	1.93	2.68	0.15	PP05240032
1 1/4"	1.575 (40mm)	1.575	0.15	6.34	2.24	3.11	0.25	PP05240040
1 1/2"	1.969 (50mm)	1.969	0.18	7.40	2.36	3.62	0.44	PP05240050
2"	2.480 (63mm)	2.480	0.23	8.50	2.36	4.25	0.81	PP05240063
2 1/2"	2.953 (75mm)	2.953	0.27	9.84	2.64	4.80	1.39	PP05240075
3"	3.543 (90mm)	3.543	0.32	10.71	2.99	5.31	2.01	PP05240090
4"	4.331 (110mm)	4.331	0.39	12.52	3.43	6.26	3.62	PP05240110
4 1/2"	4.921 (125mm)	4.921	0.45	13.54	3.82	6.77	4.86	PP05240125
5"	5.512 (140mm)	5.512	0.50	15.75	3.94	7.72	5.68	PP05240140
6"	6.299 (160mm)	6.299	0.57	16.06	3.98	8.07	9.04	PP05240160
7"	7.087 (180mm)	7.087	0.65	20.67	5.51	10.31	14.94	PP05240180
8"	7.874 (200mm)	7.874	0.72	19.69	4.80	9.84	16.52	PP05240200
9"	8.858 (225mm)	8.858	0.81	21.85	5.00	10.87	22.92	PP05240225
10"	9.843 (250mm)	9.843	0.89	22.64	5.20	11.34	28.82	PP05240250
11"	11.024 (280mm)	11.024	1.00	24.21	5.20	12.13	34.32	PP05240280
12"	12.402 (315mm)	12.402	1.13	27.36	5.91	13.62	41.80	PP05240315

PureTech - High Purity Piping Systems



Tee: Reducer - Extended Leg

Description: Tee: Reducer - Extended Leg
PN10 / SDR 11 - 150psi

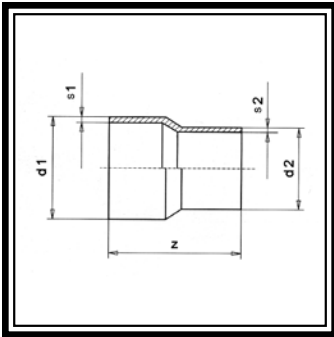
Material: Polypropylene

Execution: Molded

Connection: Butt Fusion

PN 10 / SDR 11												
Nominal Size	Actual OD Size	d1 in	d2 in	s1 in	s2 in	L in	L1 in	L2 in	z1 in	z2 in	Weight lbs	Simtech Part #
2" x 1½"	2.480 (63mm) x 1.969 (50mm)	2.480	1.969	0.228	0.181	8.465	2.480	2.205	4.252	4.055	0.660	PP0524063050
2½" x 1"	2.953 (75mm) x 1.260 (32mm)	2.953	1.260	0.268	0.114	10.079	2.756	1.811	5.039	4.252	1.078	PP0524075032
2½" x 1½"	2.953 (75mm) x 1.969 (50mm)	2.953	1.969	0.268	0.181	9.961	2.756	2.205	5.000	4.449	1.188	PP0524075050
2½" x 2"	2.953 (75mm) x 2.480 (63mm)	2.953	2.480	0.268	0.228	10.039	2.756	2.480	5.039	4.606	1.232	PP0524075063
3" x 1½"	3.543 (90mm) x 1.969 (50mm)	3.543	1.969	0.323	0.181	10.709	3.110	2.283	5.315	4.606	1.496	PP0524090050
3" x 2"	3.543 (90mm) x 2.480 (63mm)	3.543	2.480	0.323	0.228	10.709	3.110	2.559	5.315	4.843	1.716	PP0524090063
3" x 2½"	3.543 (90mm) x 2.953 (75mm)	3.543	2.953	0.323	0.268	10.709	2.874	2.677	5.354	5.433	1.760	PP0524090075
4" x 2"	4.331 (110mm) x 2.480 (63mm)	4.331	2.480	0.394	0.228	12.598	3.425	2.559	6.260	5.787	2.750	PP0524110063
4" x 2½"	4.331 (110mm) x 2.953 (75mm)	4.331	2.953	0.394	0.268	12.165	3.228	2.756	6.102	5.945	2.200	PP0524110075
4" x 3"	4.331 (110mm) x 3.543 (90mm)	4.331	3.543	0.394	0.323	12.520	3.386	3.150	6.260	6.220	3.168	PP0524110090
4½" x 4"	4.921 (125mm) x 4.331 (110mm)	4.921	4.331	0.449	0.394	13.425	3.543	3.268	6.732	6.693	4.092	PP0524125110
6" x 2"	6.299 (160mm) x 2.480 (63mm)	6.299	2.480	0.575	0.228	13.504	3.858	2.559	6.772	6.929	5.896	PP0524160063
6" x 2½"	6.299 (160mm) x 2.953 (75mm)	6.299	2.953	0.575	0.268	13.504	3.858	2.913	6.772	7.087	5.808	PP0524160075
6" x 3"	6.299 (160mm) x 3.543 (90mm)	6.299	3.543	0.575	0.323	16.063	3.976	3.110	8.071	7.402	5.896	PP0524160090
6" x 4"	6.299 (160mm) x 4.331 (110mm)	6.299	4.331	0.575	0.394	16.063	3.976	3.346	8.071	7.677	7.260	PP0524160110
7" x 6"	7.087 (180mm) x 6.299 (160mm)	7.087	6.299	0.646	0.575	16.181	4.134	3.701	8.110	8.071	9.460	PP0524180160
8" x 2½"	7.874 (200mm) x 2.953 (75mm)	7.874	2.480	0.717	0.228	19.606	4.409	2.480	9.803	7.480	-	PP0524200063
8" x 3"	7.874 (200mm) x 3.543 (90mm)	7.874	3.543	0.717	0.323	19.606	4.409	3.110	9.803	8.150	-	PP0524200090
8" x 4"	7.874 (200mm) x 4.331 (110mm)	7.874	4.331	0.717	0.394	19.606	4.409	3.228	9.803	8.465	-	PP0524200110
8" x 6"	7.874 (200mm) x 6.299 (160mm)	7.874	6.299	0.717	0.575	19.606	4.409	3.858	9.803	9.213	20.636	PP0524200160
9" x 2½"	8.858 (225mm) x 2.953 (75mm)	8.858	2.953	0.807	0.268	17.362	4.724	2.953	8.701	8.937	14.080	PP0524225075
9" x 3"	8.858 (225mm) x 3.543 (90mm)	8.858	3.543	0.807	0.323	21.850	5.000	3.150	10.866	8.898	20.636	PP0524225090
9" x 4"	8.858 (225mm) x 4.331 (110mm)	8.858	4.331	0.807	0.394	21.850	5.000	3.346	10.866	9.252	14.520	PP0524225110
9" x 6"	8.858 (225mm) x 6.299 (160mm)	8.858	6.299	0.807	0.575	21.850	5.000	4.134	10.866	10.039	17.248	PP0524225160
9" x 7"	8.858 (225mm) x 7.087 (180mm)	8.858	7.087	0.807	0.646	21.378	5.197	5.197	10.709	10.906	20.988	PP0524225180

PureTech - High Purity Piping Systems



Reducer: Concentric - Extended Leg

Description: Reducer: Concentric - Extended Leg
PN10 / SDR 11 - 150psi

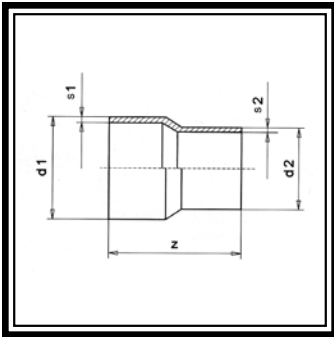
Material: Polypropylene

Execution: Molded

Connection: Butt Fusion

PN 10 / SDR 11										
Nom. Size	Actual OD Size	d1 in	d2 in	s1 in	s2 in	L in	L1 in	L2 in	Weight lbs	Simtech Part #
¾" x ½"	0.984 (25mm) x 0.787 (20mm)	0.984	0.787	0.091	0.075	3.740	1.772	1.575	0.040	PP0519025020
1" x ½"	1.260 (32mm) x 0.787 (20mm)	1.260	0.787	0.114	0.075	4.134	1.772	1.575	0.053	PP0519032020
1" x ¾"	1.260 (32mm) x 0.984 (25mm)	1.260	0.984	0.114	0.091	4.134	1.772	1.772	0.062	PP0519032025
1¼" x ½"	1.575 (40mm) x 0.787 (20mm)	1.575	0.787	0.146	0.075	4.528	1.969	1.772	0.077	PP0519040020
1¼" x ¾"	1.575 (40mm) x 0.984 (25mm)	1.575	0.984	0.146	0.091	4.528	1.969	1.575	0.088	PP0519040025
1¼" x 1"	1.575 (40mm) x 1.260 (32mm)	1.575	1.260	0.146	0.114	4.528	1.969	1.772	0.088	PP0519040032
1½" x ¾"	1.969 (50mm) x 0.984 (25mm)	1.969	0.984	0.181	0.091	4.961	2.165	1.535	0.128	PP0519050025
1½" x 1"	1.969 (50mm) x 1.260 (32mm)	1.969	1.260	0.181	0.114	5.039	2.165	1.693	0.143	PP0519050032
1½" x 1¼"	1.969 (50mm) x 1.575 (40mm)	1.969	1.575	0.181	0.146	5.197	2.165	1.929	0.163	PP0519050040
2" x 1"	2.480 (63mm) x 1.260 (32mm)	2.480	1.260	0.228	0.114	5.591	2.480	1.693	0.220	PP0519063032
2" x 1¼"	2.480 (63mm) x 1.575 (40mm)	2.480	1.575	0.228	0.146	5.748	2.480	1.929	0.262	PP0519063040
2" x 1½"	2.480 (63mm) x 1.969 (50mm)	2.480	1.969	0.228	0.181	5.906	2.480	2.165	0.308	PP0519063050
2½" x 1½"	2.953 (75mm) x 1.969 (50mm)	2.953	1.969	0.268	0.181	5.906	2.559	2.244	0.396	PP0519075050
2½" x 2"	2.953 (75mm) x 2.480 (63mm)	2.953	2.480	0.268	0.228	6.496	2.756	2.480	0.418	PP0519075063
3" x 1½"	3.543 (90mm) x 1.969 (50mm)	3.543	1.969	0.323	0.181	7.087	3.110	2.756	0.651	PP0519090050
3" x 2"	3.543 (90mm) x 2.480 (63mm)	3.543	2.480	0.323	0.228	7.283	3.110	2.756	0.748	PP0519090063
3" x 2½"	3.543 (90mm) x 2.953 (75mm)	3.543	2.953	0.323	0.268	7.205	3.110	2.756	0.660	PP0519090075
4" x 2"	4.331 (110mm) x 2.480 (63mm)	4.331	2.480	0.394	0.228	7.283	3.346	2.638	0.990	PP0519110063
4" x 2½"	4.331 (110mm) x 2.953 (75mm)	4.331	2.953	0.394	0.268	7.283	3.346	2.756	1.043	PP0519110075
4" x 3"	4.331 (110mm) x 3.543 (90mm)	4.331	3.543	0.394	0.323	7.283	3.346	3.110	1.166	PP0519110090
4½" x 2"	4.921 (125mm) x 2.480 (63mm)	4.921	2.480	0.449	0.228	7.874	3.543	2.756	1.320	PP0519125063
4½" x 3"	4.921 (125mm) x 3.543 (90mm)	4.921	3.543	0.449	0.323	7.874	3.543	3.110	1.485	PP0519125090
4½" x 4"	4.921 (125mm) x 4.331 (110mm)	4.921	4.331	0.449	0.394	7.874	3.543	3.465	1.683	PP0519125110
5" x 2½"	5.512 (140mm) x 2.953 (75mm)	5.512	2.953	0.500	0.268	8.858	4.331	2.756	2.339	PP0519140075
5" x 3"	5.512 (140mm) x 3.543 (90mm)	5.512	3.543	0.500	0.323	8.858	4.331	3.110	2.464	PP0519140090
5" x 4"	5.512 (140mm) x 4.331 (110mm)	5.512	4.331	0.500	0.394	9.055	4.331	3.465	2.585	PP0519140110
5" x 4"	5.512 (140mm) x 4.921 (125mm)	5.512	4.921	0.500	0.449	9.055	4.331	3.543	2.134	PP0519140125

PureTech - High Purity Piping Systems



Reducer: Concentric - Extended Leg

Description: Reducer: Concentric - Extended Leg
PN10 / SDR 11 - 150psi

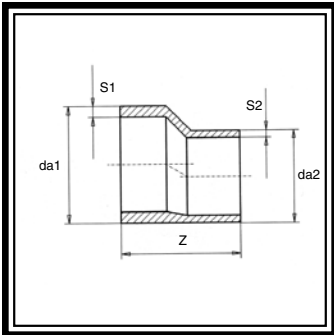
Material: Polypropylene

Execution: Molded

Connection: Butt Fusion

PN 10 / SDR 11										
Nom. Size	Actual OD Size	d1 in	d2 in	s1 in	s2 in	L in	L1 in	L2 in	Weight lbs	Simtech Part #
6" x 3"	6.299 (160mm) x 3.543 (90mm)	6.299	3.543	0.575	0.323	9.843	4.724	3.150	2.706	PP0519160090
6" x 4"	6.299 (160mm) x 4.331 (110mm)	6.299	4.331	0.575	0.394	9.843	4.724	3.543	2.926	PP0519160110
6" x 4½"	6.299 (160mm) x 4.921 (125mm)	6.299	4.921	0.575	0.449	9.843	4.724	3.543	3.014	PP0519160125
6" x 5"	6.299 (160mm) x 5.512 (140mm)	6.299	5.512	0.575	0.500	10.236	4.724	4.331	3.432	PP0519160140
7" x 3"	7.087 (180mm) x 3.543 (90mm)	7.087	3.543	0.646	0.323	9.331	4.134	3.110	3.366	PP0519180090
7" x 4"	7.087 (180mm) x 4.331 (110mm)	7.087	4.331	0.646	0.394	9.646	4.134	3.228	3.674	PP0519180110
7" x 4½"	7.087 (180mm) x 4.921 (125mm)	7.087	4.921	0.646	0.449	9.646	4.134	3.543	4.004	PP0519180125
7" x 5"	7.087 (180mm) x 5.512 (140mm)	7.087	5.512	0.646	0.500	10.630	4.724	4.331	4.422	PP0519180140
7" x 6"	7.087 (180mm) x 6.299 (160mm)	7.087	6.299	0.646	0.575	10.630	4.724	4.724	4.664	PP0519180160
8" x 5"	7.874 (200mm) x 5.512 (140mm)	7.874	5.512	0.717	0.500	10.630	4.724	4.331	5.016	PP0519200140
8" x 6"	7.874 (200mm) x 6.299 (160mm)	7.874	6.299	0.717	0.575	10.827	4.724	4.724	5.346	PP0519200160
8" x 7"	7.874 (200mm) x 7.087 (180mm)	7.874	7.087	0.717	0.646	10.827	4.724	4.724	5.852	PP0519200180
9" x 5"	8.858 (225mm) x 5.512 (140mm)	8.858	5.512	0.807	0.500	11.614	5.118	4.331	6.389	PP0519225140
9" x 6"	8.858 (225mm) x 6.299 (160mm)	8.858	6.299	0.807	0.575	11.614	5.118	4.724	6.710	PP0519225160
9" x 7"	8.858 (225mm) x 7.087 (180mm)	8.858	7.087	0.807	0.646	11.417	5.039	4.724	7.194	PP0519255180
9" x 8"	8.858 (225mm) x 7.874 (200mm)	8.858	7.874	0.807	0.717	11.417	5.118	4.724	7.700	PP0519255200
10" x 6"	9.843 (250mm) x 6.299 (160mm)	9.843	6.299	0.894	0.575	11.417	5.118	3.937	8.151	PP0519250160
10" x 7"	9.843 (250mm) x 7.087 (180mm)	9.843	7.087	0.894	0.646	11.614	5.118	4.134	8.910	PP0519250180
10" x 8"	9.843 (250mm) x 7.874 (200mm)	9.843	7.874	0.894	0.717	11.890	5.118	4.567	9.636	PP0519250200
10" x 9"	9.843 (250mm) x 8.858 (225mm)	9.843	8.858	0.894	0.807	12.205	5.118	4.724	10.670	PP0519250225
11" x 8"	11.024 (280mm) x 7.874 (200mm)	11.024	7.874	1.000	0.717	13.110	5.512	4.409	12.870	PP0519280200
11" x 9"	11.024 (280mm) x 8.858 (225mm)	11.024	8.858	1.000	0.807	13.189	5.512	4.724	13.387	PP0519280225
11" x 10"	11.024 (280mm) x 9.843 (250mm)	11.024	9.843	1.000	0.894	13.386	5.512	5.118	14.388	PP0519280250
12" x 9"	12.402 (315mm) x 8.858 (225mm)	12.402	8.858	1.126	0.807	14.370	5.906	4.724	17.380	PP0519315225
12" x 10"	12.402 (315mm) x 9.843 (250mm)	12.402	9.843	1.126	0.894	14.370	5.906	5.118	17.820	PP0519315250
12" x 11"	12.402 (315mm) x 11.024 (280mm)	12.402	11.024	1.126	1.000	14.370	5.906	5.512	19.360	PP0519315280

PureTech - High Purity Piping Systems



Reducer: Eccentric - Extended Leg

Description: Reducer: Eccentric - Extended Leg
PN10 / SDR 11 - 150psi

Material: Polypropylene

Execution: Molded

Connection: Butt Fusion

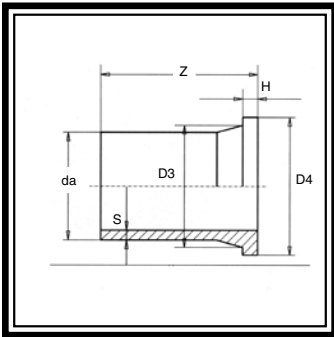
PN 10 / SDR 11										
Nominal Size	Actual OD Size	d1 in	d2 in	s1 in	s2 in	L in	L1 in	L2 in	Weight lbs	Simtech Part #
¾" x ½"	0.984 (25mm) x 0.787 (20mm)	0.984	0.787	0.091	0.075	4.055	2.008	1.496	0.044	PP05030025020
1" x ¾"	1.260 (32mm) x 0.984 (25mm)	1.260	0.984	0.114	0.091	4.488	2.205	1.575	0.044	PP05030032025
1¼" x ¾"	1.575 (40mm) x 0.984 (25mm)	1.575	0.984	0.146	0.091	4.961	2.362	1.575	0.088	PP05030040025
1¼" x 1"	1.575 (40mm) x 1.260 (32mm)	1.575	1.260	0.146	0.114	4.921	2.323	1.732	0.088	PP05030040032
1½" x 1"	1.969 (50mm) x 1.260 (32mm)	1.969	1.260	0.181	0.114	6.142	2.795	1.772	0.176	PP05030050032
1½" x 1¼"	1.969 (50mm) x 1.575 (40mm)	1.969	1.575	0.181	0.146	6.181	2.795	1.929	0.176	PP05030050040
2" x 1"	2.480 (63mm) x 1.260 (32mm)	2.480	1.260	0.228	0.114	6.969	2.953	1.772	0.264	PP05030063032
2" x 1¼"	2.480 (63mm) x 1.575 (40mm)	2.480	1.575	0.228	0.146	6.969	2.992	1.929	0.308	PP05030063040
2" x 1½"	2.480 (63mm) x 1.969 (50mm)	2.480	1.969	0.228	0.181	6.969	2.992	2.205	0.330	PP05030063050
2½" x 1½"	2.953 (75mm) x 1.969 (50mm)	2.953	1.969	0.268	0.181	7.756	3.307	2.244	0.462	PP05030075050
2½" x 2"	2.953 (75mm) x 2.480 (63mm)	2.953	2.480	0.268	0.228	7.756	3.268	2.480	0.550	PP05030075063
3" x 2"	3.543 (90mm) x 2.480 (63mm)	3.543	2.480	0.323	0.228	8.661	3.622	2.520	0.792	PP05030090063
3" x 2½"	3.543 (90mm) x 2.953 (75mm)	3.543	2.953	0.323	0.268	8.583	3.661	2.756	0.858	PP05030090075
4" x 2"	4.331 (110mm) x 2.480 (63mm)	4.331	2.480	0.394	0.228	9.724	3.898	2.480	1.254	PP05030110063
4" x 3"	4.331 (110mm) x 3.543 (90mm)	4.331	3.543	0.394	0.323	9.606	3.858	3.110	1.430	PP05030110090
4½" x 2"	4.921 (125mm) x 2.480 (63mm)	4.921	2.480	0.449	0.228	10.433	3.976	2.480	1.760	PP05030125063
4½" x 3"	4.921 (125mm) x 3.543 (90mm)	4.921	3.543	0.449	0.323	10.472	4.213	3.110	1.980	PP05030125090
4½" x 4"	4.921 (125mm) x 4.331 (110mm)	4.921	4.331	0.449	0.394	10.433	4.173	3.425	2.090	PP05030125110
5" x 4"	5.512 (140mm) x 4.921 (125mm)	5.512	4.921	0.500	0.449	11.142	4.331	3.740	2.860	PP05030140125
6" x 3"	6.299 (160mm) x 3.543 (90mm)	6.299	3.543	0.575	0.323	12.165	4.646	3.110	3.344	PP05030160090
6" x 4"	6.299 (160mm) x 4.331 (110mm)	6.299	4.331	0.575	0.394	12.165	4.567	3.425	3.542	PP05030160110
6" x 4½"	6.299 (160mm) x 4.921 (125mm)	6.299	4.921	0.575	0.449	12.165	4.606	3.622	3.850	PP05030160125
6" x 5"	6.299 (160mm) x 5.512 (140mm)	6.299	5.512	0.575	0.500	12.126	4.606	3.898	4.136	PP05030160140
7" x 3"	7.087 (180mm) x 3.543 (90mm)	7.087	3.543	0.646	0.323	13.701	5.079	3.110	4.862	PP05030180090
7" x 4½"	7.087 (180mm) x 4.921 (125mm)	7.087	4.921	0.646	0.449	13.898	5.354	3.701	5.236	PP05030180125
7" x 6"	7.087 (180mm) x 6.299 (160mm)	7.087	6.299	0.646	0.575	13.898	5.354	4.134	5.896	PP05030180160
8" x 6"	7.874 (200mm) x 6.299 (160mm)	7.874	6.299	0.717	0.575	14.685	5.472	4.134	7.392	PP05030220160
8" x 7"	7.874 (200mm) x 7.087 (180mm)	7.874	7.087	0.717	0.646	14.685	5.669	4.409	8.140	PP05030200180
9" x 6"	8.858 (225mm) x 6.299 (160mm)	8.858	6.299	0.807	0.575	15.945	6.102	4.055	9.614	PP05030225160
9" x 7"	8.858 (225mm) x 7.087 (180mm)	8.858	7.087	0.807	0.646	15.866	6.102	4.370	9.900	PP05030225180
9" x 8"	8.858 (225mm) x 7.874 (200mm)	8.858	7.874	0.807	0.717	15.866	6.142	4.646	10.846	PP05030225200
10" x 8"	9.843 (250mm) x 8.858 (225mm)	9.843	8.858	0.894	0.807	17.323	6.850	5.000	14.476	PP05030250225

SIMTECH

Phone: 877-777-2467 • Fax: 215-547-3410

www.SimtechUSA.com

PureTech - High Purity Piping Systems



Stub End - Extended Leg

Description: Stub End - Extended Leg
PN10 / SDR 11 - 150psi

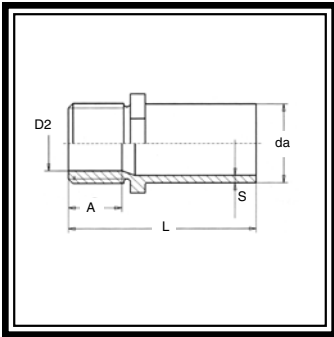
Material: Polypropylene

Execution: Molded

Connection: Butt Fusion

PN 10 / SDR 11										
Nominal Size	Actual OD Size	d in	s in	d3 in	d4 in	h1 in	h4 in	z2 in	Weight lbs	SIMTECH Part #
1/2"	0.787 (20mm)	0.787	0.075	1.063	1.772	0.276	1.260	3.465	0.044	PP05280020
3/4"	0.984 (25mm)	0.984	0.091	1.299	2.283	0.354	1.575	3.386	0.088	PP05280025
1"	1.260 (32mm)	1.260	0.114	1.575	2.677	0.394	1.732	3.346	0.130	PP05280032
1 1/4"	1.575 (40mm)	1.575	0.146	1.969	3.071	0.433	1.929	3.346	0.187	PP05280040
1 1/2"	1.969 (50mm)	1.969	0.181	2.402	3.465	0.472	2.165	4.094	0.299	PP05280050
2"	2.480 (63mm)	2.480	0.228	2.953	4.016	0.551	2.402	4.803	0.466	PP05280063
2 1/2"	2.953 (75mm)	2.953	0.268	3.504	4.724	0.630	2.756	5.118	0.704	PP05280075
3"	3.543 (90mm)	3.543	0.323	4.134	5.433	0.669	3.110	5.512	1.056	PP05280090
4"	4.331 (110mm)	4.331	0.394	4.921	6.220	0.709	3.228	5.512	1.430	PP05280110
4 1/2"	4.921 (125mm)	4.921	0.449	5.197	6.220	0.984	3.425	7.165	2.156	PP05280125
5"	5.512 (140mm)	5.512	0.500	6.024	7.323	0.984	3.622	7.008	2.684	PP05280140
6"	6.299 (160mm)	6.299	0.575	6.890	8.346	0.984	3.858	7.087	3.520	PP05280160
7"	7.087 (180mm)	7.087	0.646	7.087	8.346	1.181	4.134	7.874	3.916	PP05280180
8"	7.874 (200mm)	7.874	0.717	9.134	10.551	1.260	4.409	7.874	6.633	PP05280200
9"	8.858 (225mm)	8.858	0.807	9.252	10.551	1.260	4.724	7.874	7.040	PP05280225
10"	9.843 (250mm)	9.843	0.894	11.220	12.598	1.378	5.118	8.268	10.560	PP05280250
11"	11.024 (280mm)	11.024	1.000	11.457	12.598	1.378	5.512	8.858	11.385	PP05280280
12"	12.402 (315mm)	12.402	1.126	13.189	14.567	1.378	5.906	9.252	15.884	PP05280315

PureTech - High Purity Piping Systems



Male Adapter - Extended Leg

Description: Threaded Male Adapter - Extended Leg
PN10 / SDR 11 - 150psi

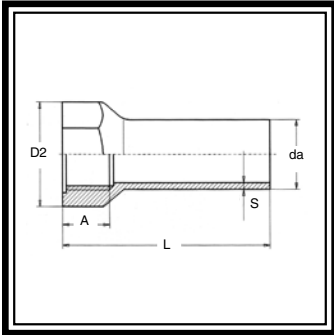
Material: Polypropylene

Execution: Molded

Connection: Butt Fusion

PN 10 / SDR 11										
Nominal Size	Actual OD Size	d in	s in	a in	d2 in	L in	Le in	sw in	Weight lbs	SIMTECH Part #
1/2"	0.787 (20mm)	0.787	0.075	0.591	0.512	2.362	1.457	0.945	0.020	PP05120020
3/4"	0.984 (25mm)	0.984	0.091	0.591	0.709	2.441	1.575	1.063	0.029	PP05120025
1"	1.260 (32mm)	1.260	0.114	0.748	0.906	2.756	1.732	1.417	0.048	PP05120032
1 1/4"	1.575 (40mm)	1.575	0.146	0.787	1.142	2.992	1.929	1.811	0.084	PP05120040
1 1/2"	1.969 (50mm)	1.969	0.181	0.827	1.339	3.307	2.165	2.165	0.128	PP05120050
2"	2.480 (63mm)	2.480	0.228	0.866	1.772	3.661	2.480	2.559	0.211	PP05120063

PureTech - High Purity Piping Systems



Female Adapter - Extended Leg

Description: Threaded Female Adapter - Extended Leg
PN10 / SDR 11 - 150psi

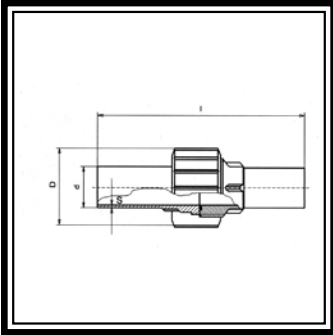
Material: Polypropylene

Execution: Molded

Connection: Butt Fusion

PN 10 / SDR 11									
Nominal Size	Actual OD Size	d in	s in	a in	sw in	L in	Le in	Weight lbs	Simtech Part #
1/2"	0.787 (20mm)	0.787	0.075	0.630	1.181	2.283	1.457	0.035	PP05130020
3/4"	0.984 (25mm)	0.984	0.091	0.709	1.417	2.480	1.575	0.048	PP05130025
1"	1.260 (32mm)	1.260	0.114	0.827	1.811	2.795	1.732	0.088	PP05130032
1 1/4"	1.575 (40mm)	1.575	0.146	0.906	2.165	3.110	1.929	0.128	PP05130040
1 1/2"	1.969 (50mm)	1.969	0.181	0.945	2.362	3.307	2.165	0.174	PP05130050
2"	2.480 (63mm)	2.480	0.228	0.984	2.953	3.819	2.717	0.328	PP05130063

PureTech - High Purity Piping Systems



Union - Extended Leg

Description: Union with Viton O-Ring - Extended Leg
PN10 / SDR 11 - 150psi

Material: Polypropylene

Execution: Molded

Connection: Butt Fusion

PN 10 / SDR 11									
Nominal Size	Actual OD Size	d in	s in	D in	L in	Le1 in	Le2 in	Weight lbs	SIMTECH Part #
1/2"	0.787 (20mm)	0.787	0.075	1.850	4.134	0.945	1.457	0.121	PP05260020
3/4"	0.984 (25mm)	0.984	0.091	2.244	4.331	0.945	1.496	0.187	PP05260025
1"	1.260 (32mm)	1.260	0.114	2.520	4.646	0.945	1.535	0.251	PP05260032
1 1/4"	1.575 (40mm)	1.575	0.146	3.071	4.843	0.945	1.614	0.429	PP05260040
1 1/2"	1.969 (50mm)	1.969	0.181	3.504	5.079	0.945	1.732	0.601	PP05260050
2"	2.480 (63mm)	2.480	0.228	4.291	5.315	0.945	1.732	0.990	PP05260063
1/2"	0.787 (20mm)	0.787	0.075	1.850	4.134	0.945	1.457	0.121	PP05270020
3/4"	0.984 (25mm)	0.984	0.091	2.244	4.331	0.945	1.496	0.187	PP05270025
1"	1.260 (32mm)	1.260	0.114	2.520	4.646	0.945	1.535	0.251	PP05270032
1 1/4"	1.575 (40mm)	1.575	0.146	3.071	4.843	0.945	1.614	0.429	PP05270040
1 1/2"	1.969 (50mm)	1.969	0.181	3.504	5.079	0.945	1.732	0.601	PP05270050
2"	2.480 (63mm)	2.480	0.228	4.291	5.315	0.945	1.732	0.990	PP05270063

PureTech - High Purity Piping Systems

Simtech Industrial Products, Inc.

47-A Runway Road, Levittown, PA 19057
Phone: 215-547-0444 Fax: 215-547-9129
E-mail: info@simtechUSA.com
Web site: www.simtechUSA.com

WARRANTY

Simtech Industrial Products, Inc. products are warranted to be free from defects in materials and workmanship for one (1) year from date of shipment. No claim shall be permitted under this warranty unless Buyer gives Simtech Industrial Products, Inc. written notice of all respects in which Buyer claims the product to be defective. Notice must be received within ten (10) days from the date which the Buyer discovers, or should have discovered the defect. Buyer shall give Simtech Industrial Products, Inc. a reasonable opportunity to inspect the product after notice has been given. This warranty shall not apply to any products or components, which have been subjected to abnormal use, negligence or accident.

Seller's sole obligation under this warranty shall be limited solely on the repair or replacement, as elected by Simtech Industrial Products, Inc., of defective or nonconforming material. To the maximum extent permitted by law, Buyer irrevocably waives all claims for money damages relating to the condition, use and performance of the goods purchased. In no event shall Simtech Industrial Products, Inc. liability exceed the purchase price of the product sold by Simtech Industrial Products, Inc.

In no event, whether because of a breach of warranty or representation or any other cause, whether based upon contract, tort, warranty or otherwise, arising out of the performance or nonperformance by seller of its obligations under this agreement or with respect to the products sold pursuant here to; shall seller be liable for lost earnings, income or profits or indirect, incidental, liquidated or consequential damages.

The implied warranties of merchantability and fitness for a particular purpose except as set forth in this warranty, express or implied, are hereby disclaimed and excluded. Nothing shall be construed as an additional warranty unless specifically designated as such in writing and signed by Simtech Industrial Products, Inc.

Simtech Industrial Products, Inc. reserves the right, in its discretion, at any time and from time to time, to make changes to any specification, data or information contained herein.