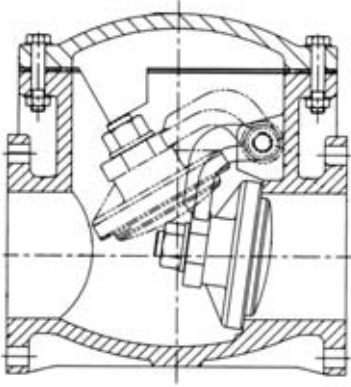
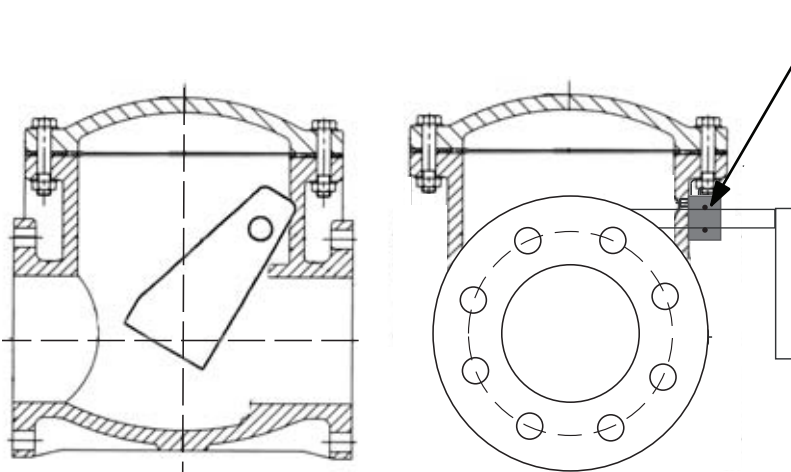


VS Series - Swing Check Options



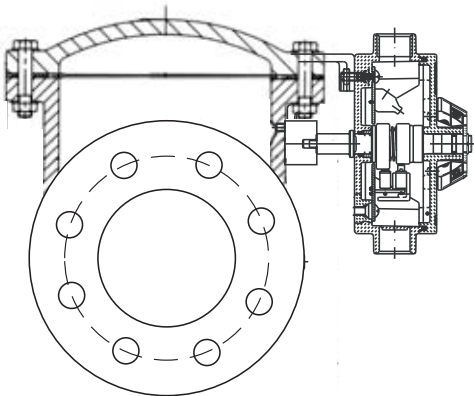
VS Series - Swing Check Valve Standard Option

- Material: PVC, CPVC (Corzan™), Polypropylene, PVDF
- Size: 3/4" - 8"
- Pressure Rating: 150 PSI
- Seals: EPDM or VITON
- Connections: ANSI 150 lb. Flanged
- Hardware: Stainless Steel



VS Series - Swing Check Valve Lever/Weight Option

- External Lever & Weight
- Made from thermoplastic
- Assists Disc in Closing



VS Series - Swing Check Valve Limit Switch Option

- SPDT Mechanical Switch
- Indication open & Closed
- 125 VAC
- Technopolymer Box
- Beacon Visual Position Indicator