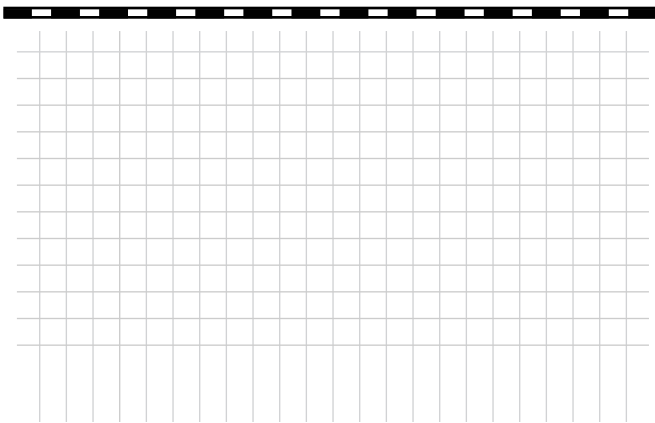


# Chemical Process Piping Systems

## Kynar<sup>®</sup> 740 PVDF Butt Fusion Dimensional Data

*Corrosion Resistant Fluid and  
Air Handling Systems.*

**SIMTECH**



---

---

# **Chemical**Process Piping Systems - **Dimensional Data**

## TABLE OF CONTENTS

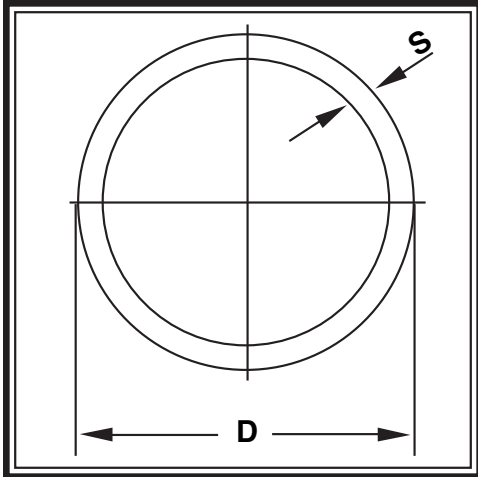
### **PN16 / SDR 21**

Pipe.....3

### **Butt Weld Fittings**

Backing Rings ..... 9  
Elbows: 90° ..... 4  
Elbows: 45° ..... 5  
Female Adapter ..... 11  
Male Adapter ..... 12  
Reducer: Concentric ..... 7  
Stub Ends ..... 8  
Tee ..... 6  
Union ..... 10

# Chemical Process Piping Systems - Dimensional Data



## PRESSURE PIPE

Description: Pressure Pipe  
PN16 / SDR 21 - 232psi

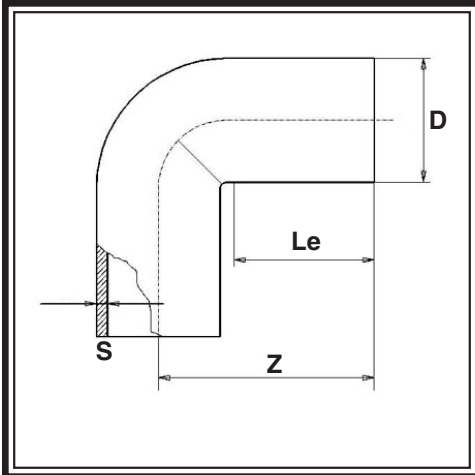
Material: Kynar® 740 PVDF

Connection: Butt Fusion

PN 16 / SDR 21						
Nominal Size	Actual OD Size	D in	S in	Length Ft	Weight lbs/Ft	Part Number
3/8"	0.630 (16mm)	0.630	0.075	16.400	0.113	PF06000016
1/2"	0.787 (20mm)	0.787	0.075	16.400	0.144	PF06000020
3/4"	0.984 (25mm)	0.984	0.075	16.400	0.185	PF06000025
1"	1.260 (32mm)	1.260	0.094	16.400	0.298	PF06000032
1 1/4"	1.575 (40mm)	1.575	0.094	16.400	0.381	PF06000040
1 1/2"	1.969 (50mm)	1.969	0.118	16.400	0.580	PF06000050
2"	2.480 (63mm)	2.480	0.118	16.400	0.749	PF06000063
2 1/2"	2.953 (75mm)	2.953	0.142	16.400	1.066	PF06000075
3"	3.543 (90mm)	3.543	0.169	16.400	1.526	PF06000090
4"	4.331 (110mm)	4.331	0.209	16.400	2.289	PF06000110
4 1/2"	4.921 (125mm)	4.921	0.236	16.400	2.922	PF06000125
5"	5.512 (140mm)	5.512	0.264	16.400	3.651	PF06000140
6"	6.299 (160mm)	6.299	0.303	16.400	4.785	PF06000160

# Chemical Process Piping Systems - Dimensional Data

## 90° Elbow



Description: 90° Elbow  
PN16 / SDR 21 - 232psi

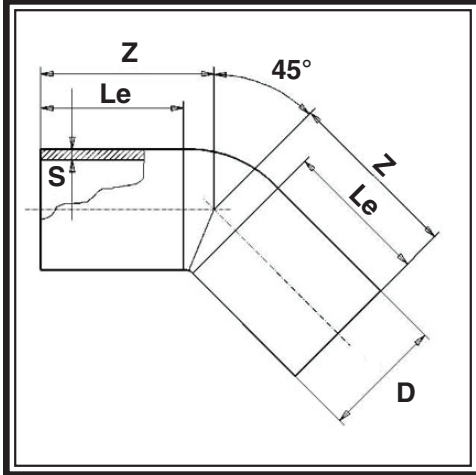
Material: Kynar® 740 PVDF

Connection: Butt Fusion

PN 16 / SDR 21							
Nominal Size	Actual OD Size	D	S	Le	Z	Weight	Part Number
		in	in	in	in	lbs	
½"	0.787 (20mm)	0.787	0.075	0.984	1.496	0.037	PF06150020
¾"	0.984 (25mm)	0.984	0.075	1.024	1.654	0.051	PF06150025
1"	1.260 (32mm)	1.260	0.094	1.024	1.811	0.088	PF06150032
1¼"	1.575 (40mm)	1.575	0.094	1.102	2.008	0.132	PF06150040
1½"	1.969 (50mm)	1.969	0.118	1.102	2.283	0.231	PF06150050
2"	2.480 (63mm)	2.480	0.118	1.102	2.598	0.396	PF06150063
2½"	2.953 (75mm)	2.953	0.142	0.906	2.953	0.535	PF06150075
3"	3.543 (90mm)	3.543	0.169	0.906	3.543	0.847	PF06150090
4"	4.331 (110mm)	4.331	0.209	0.906	4.331	1.415	PF06150110
5"	5.512 (140mm)	5.512	0.264	1.299	5.512	3.131	PF06150140
6"	6.299 (160mm)	6.299	0.303	1.299	6.299	4.514	PF06150160
8"	7.874 (200mm)	7.874	0.378	1.299	7.874	8.356	PF06150200
9"	8.858 (225mm)	8.858	0.425	1.299	8.661	11.603	PF06150225

# Chemical Process Piping Systems - Dimensional Data

## 45° Elbow



Description: 45° Elbow  
PN16 / SDR 21 - 232psi

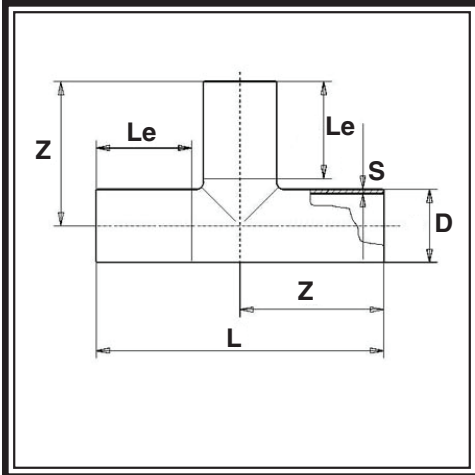
Material: Kynar® 740 PVDF

Connection: Butt Fusion

PN 16 / SDR 21							
Nominal Size	Actual OD Size	D in	S in	Le in	Z in	Weight lbs	Part Number
½"	0.787 (20mm)	0.787	0.075	0.984	1.260	0.031	PF06160020
¾"	0.984 (25mm)	0.984	0.075	1.024	1.339	0.042	PF06160025
1"	1.260 (32mm)	1.260	0.094	1.024	1.417	0.073	PF06160032
1¼"	1.575 (40mm)	1.575	0.094	1.102	1.535	0.106	PF06160040
1½"	1.969 (50mm)	1.969	0.118	1.181	1.654	0.174	PF06160050
2"	2.480 (63mm)	2.480	0.118	1.220	1.850	0.255	PF06160063
2½"	2.953 (75mm)	2.953	0.142	1.260	1.929	0.352	PF06160075
3"	3.543 (90mm)	3.543	0.169	1.457	2.244	0.572	PF06160090
4"	4.331 (110mm)	4.331	0.209	1.811	2.756	1.056	PF06160110
5"	5.512 (140mm)	5.512	0.264	2.244	3.465	2.200	PF06160140
6"	6.299 (160mm)	6.299	0.303	2.441	3.937	3.234	PF06160160
8"	7.874" (200mm)	7.874	0.378	3.031	4.882	6.160	PF06160200
9"	8.858" (225mm)	8.858	0.425	3.465	5.512	8.800	PF06160225

# Chemical Process Piping Systems - Dimensional Data

## Tee



Description: Tee  
PN16 / SDR 21 - 232psi

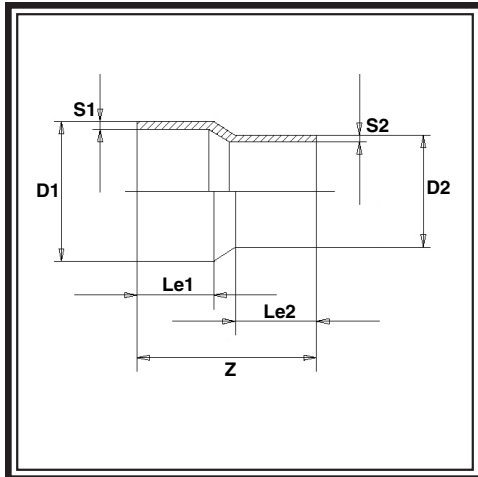
Material: Kynar® 740 PVDF

Connection: Butt Fusion

PN 16 / SDR 21								
Nominal Size	Actual OD Size	D in	S in	L in	Le in	Z in	Weight lbs	Part Number
½"	0.787 (20mm)	0.787	0.075	2.992	0.984	1.496	0.051	PF06030020
¾"	0.984 (25mm)	0.984	0.075	3.307	1.063	1.654	0.070	PF06030025
1"	1.260 (32mm)	1.260	0.094	3.622	1.063	1.811	0.123	PF06030032
1¼"	1.575 (40mm)	1.575	0.094	4.016	1.102	2.008	0.183	PF06030040
1½"	1.969 (50mm)	1.969	0.118	4.567	1.102	2.283	0.308	PF06030050
2"	2.480 (63mm)	2.480	0.118	5.197	1.102	2.598	0.508	PF06030063
2½"	2.953 (75mm)	2.953	0.142	5.906	1.260	2.953	0.814	PF06030075
3"	3.543 (90mm)	3.543	0.169	7.087	1.535	3.543	1.452	PF06030090
4"	4.331 (110mm)	4.331	0.209	8.661	1.890	4.331	2.662	PF06030110
5"	5.512 (140mm)	5.512	0.264	11.024	2.441	5.512	5.720	PF06030140
6"	6.299 (160mm)	6.299	0.303	12.598	2.795	6.299	7.700	PF06030160
8"	7.874 (200mm)	7.874	0.378	15.748	3.150	7.874	16.500	PF06030200
9"	8.858 (225mm)	8.858	0.425	17.323	3.386	8.661	19.822	PF06030225

# Chemical Process Piping Systems - Dimensional Data

## Reducer



Description: Reducer  
PN16 / SDR 21 - 232psi

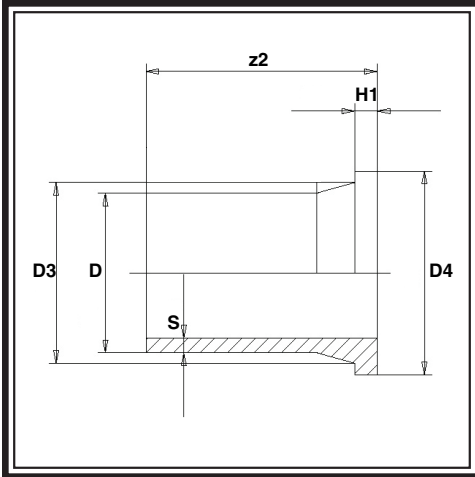
Material: Kynar® 740 PVDF

Connection: Butt Fusion

PN 16 / SDR 21										
Nom. Size	Actual OD Size	D1 in	D2 in	S1 in	S2 in	Le1 in	Le2 in	Z in	Weight bs	Part Number
¾" x ½"	0.984 (25mm) x 0.787 (20mm)	0.984	0.787	0.075	0.075	0.866	0.866	1.969	0.026	PF0604025020
1" x ½"	1.260 (32mm) x 0.787 (20mm)	1.260	0.787	0.094	0.075	0.866	0.866	1.969	0.037	PF0604032020
1" x ¾"	1.260 (32mm) x 0.984 (25mm)	1.260	0.984	0.094	0.075	0.866	0.866	1.969	0.040	PF0604032025
1¼" x ½"	1.575 (40mm) x 0.787 (20mm)	1.575	0.787	0.094	0.075	0.866	0.945	2.283	0.053	PF0604040020
1¼" x ¾"	1.575 (40mm) x 0.984 (25mm)	1.575	0.984	0.094	0.075	0.866	0.945	2.165	0.055	PF0604040025
1¼" x 1"	1.575 (40mm) x 1.260 (32mm)	1.575	1.260	0.094	0.094	0.866	0.945	2.165	0.064	PF0604040032
1½" x ¾"	1.969 (50mm) x 0.984 (25mm)	1.969	0.984	0.118	0.075	0.866	0.984	2.362	0.068	PF0604050025
1½" x 1"	1.969 (50mm) x 1.260 (32mm)	1.969	1.260	0.118	0.094	0.866	0.984	2.362	0.084	PF0604050032
1½" x 1¼"	1.969 (50mm) x 1.575 (40mm)	1.969	1.575	0.118	0.094	0.866	0.984	2.362	0.088	PF0604050040
2" x 1"	2.480 (63mm) x 1.260 (32mm)	2.480	1.260	0.118	0.094	0.866	0.984	2.559	0.110	PF0604063032
2" x 1¼"	2.480 (63mm) x 1.575 (40mm)	2.480	1.575	0.118	0.094	0.866	0.984	2.559	0.114	PF0604063040
2" x 1½"	2.480 (63mm) x 1.969 (50mm)	2.480	1.969	0.118	0.118	0.866	0.984	2.559	0.132	PF0604063050
2½" x 1¼"	2.953 (75mm) x 1.575 (40mm)	2.953	1.575	0.142	0.094	0.945	0.984	2.677	0.152	PF0604075040
2½" x 1½"	2.953 (75mm) x 1.969 (50mm)	2.953	1.969	0.142	0.118	0.945	0.984	2.559	0.172	PF0604075050
2½" x 2"	2.953 (75mm) x 2.480 (63mm)	2.953	2.480	0.142	0.118	0.945	0.984	2.559	0.176	PF0604075063
3" x 2"	3.543 (90mm) x 2.480 (63mm)	3.543	2.480	0.169	0.118	0.984	1.181	2.953	0.264	PF0604090050
3" x 2½"	3.543 (90mm) x 2.953 (75mm)	3.543	2.953	0.169	0.142	0.984	1.378	2.953	0.286	PF0604090063
4" x 2"	4.331 (110mm) x 2.480 (63mm)	4.331	2.480	0.209	0.118	1.181	1.181	3.543	0.495	PF0604090075
4" x 2½"	4.331 (110mm) x 2.953 (75mm)	4.331	2.953	0.209	0.142	1.181	1.378	3.543	0.469	PF0604110063
4" x 3"	4.331 (110mm) x 3.543 (90mm)	4.331	3.543	0.209	0.169	1.181	1.378	3.543	0.506	PF0604110075
5" x 4"	5.512 (140mm) x 4.331 (110mm)	5.512	4.331	0.264	0.209	1.575	1.575	4.331	0.990	PF0604110090
6" x 4"	6.299 (160mm) x 4.331 (110mm)	6.299	4.331	0.264	0.169	1.575	1.575	4.724	1.430	PF0604125090
6" x 5"	6.299 (160mm) x 5.512 (140mm)	6.299	5.512	0.303	0.264	1.575	1.575	4.724	0.990	PF0604125110
8" x 6"	7.874 (200mm) x 6.299 (160mm)	7.874	6.299	0.303	0.264	1.575	1.378	4.724	2.948	PF0604160090
9" x 4"	8.858 (225mm) x 4.331 (110mm)	8.858	4.331	0.425	0.209	1.969	1.575	6.299	3.388	PF0604160110
9" x 6"	8.858 (225mm) x 6.299 (160mm)	8.858	6.299	0.425	0.303	2.165	1.102	6.299	3.806	PF0604160125
9" x 8"	8.858 (225mm) x 7.874 (200mm)	8.858	7.874	0.425	0.378	2.165	1.969	6.299	4.356	PF0604160140

# Chemical Process Piping Systems - Dimensional Data

## Stub End



Description: Stub End  
PN16 / SDR 21 - 232psi

Material: Kynar® 740 PVDF

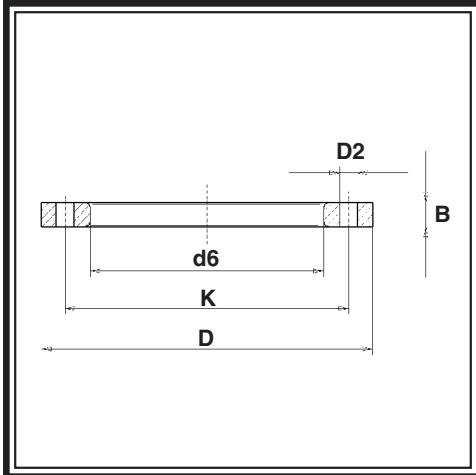
Connection: Butt Fusion

PN 16 / SDR 21									
Nominal Size	Actual OD in	D in	S in	D3 in	D4 in	H1 in	z in	Weight lbs	Part Number
1/2"	0.787 (20mm)	0.787	0.075	1.024	1.772	0.236	2.126	0.064	PF06060020
3/4"	0.984 (25mm)	0.984	0.075	1.260	2.126	0.354	2.520	0.143	PF06060025
1"	1.260 (32mm)	1.260	0.094	1.535	2.480	0.394	2.756	0.211	PF06060032
1 1/4"	1.575 (40mm)	1.575	0.094	1.890	2.874	0.433	3.071	0.299	PF06060040
1 1/2"	1.969 (50mm)	1.969	0.118	2.362	3.228	0.472	3.307	0.416	PF06060050
2"	2.480 (63mm)	2.480	0.118	2.953	4.016	0.354	2.835	0.411	PF06060063
2 1/2"	2.953 (75mm)	2.953	0.142	3.504	4.803	0.394	3.150	0.656	PF06060075
3"	3.543 (90mm)	3.543	0.169	4.016	5.236	0.669	4.724	1.375	PF06060090
4"	4.331 (110mm)	4.331	0.209	4.921	6.220	0.512	3.189	1.386	PF06060110
5"	5.512 (140mm)	5.512	0.264	6.102	7.402	0.630	3.543	1.863	PF06060140
6"	6.299 (160mm)	6.299	0.303	6.890	8.346	0.669	3.661	2.640	PF06060160
8"	7.874 (200mm)	7.874	0.378	9.134	10.551	0.866	4.016	4.180	PF06060200
9"	8.858 (225mm)	8.858	0.425	9.252	10.551	0.866	4.016	4.400	PF06060225



# Chemical Process Piping Systems - Dimensional Data

## Backing Ring



Description: Backing Ring  
150 lbs. ANSI Drilling

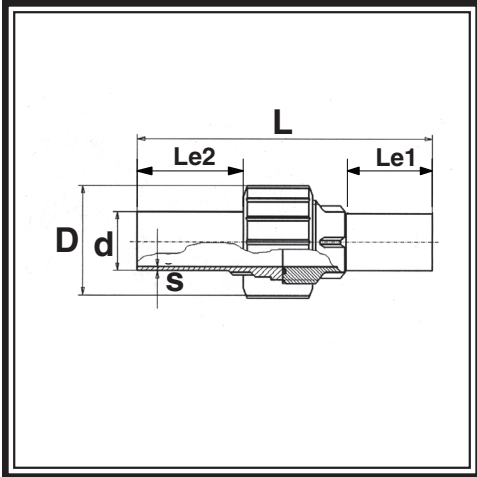
Material: Glass Filled Polypropylene with Steel Core

Execution: Molded

Nominal Size	B in	D in	d2 in	d6 in	k in	# Holes	Weight lbs	Part Number
½"	0.472	3.504	0.630	1.240	2.362	4	0.484	PP99070020
¾"	0.472	3.858	0.630	1.319	2.756	4	0.660	PP99070025
1"	0.630	4.252	0.630	1.634	3.110	4	0.970	PP99070032
1¼"	0.630	4.606	0.630	1.988	3.504	4	1.188	PP99070040
1½"	0.709	5.000	0.630	2.421	3.858	4	1.254	PP99070050
2"	0.709	5.984	0.748	3.051	4.764	4	1.782	PP99070063
2½"	0.709	7.008	0.748	3.484	5.512	4	2.418	PP99070075
3"	0.709	7.480	0.748	4.252	5.984	8	2.330	PP99070090
4" & 4½"	0.709	9.016	0.748	5.039	7.520	8	4.048	PP99070110
6" & 7"	0.945	11.024	0.874	7.126	9.488	8	6.435	PP99070160
8" & 9"	0.945	13.504	0.874	9.370	11.732	8	10.256	PP99070200
10" & 11"	1.181	15.984	1.000	11.516	14.252	12	12.628	PP99070250
12"	1.339	19.016	1.000	13.287	17.008	12	26.224	PP99070315
14"	1.654	20.984	1.122	14.783	18.740	16	34.540	PP99070355
16"	1.732	23.504	1.122	16.890	21.260	16	38.720	PP99070400

# Chemical Process Piping Systems - Dimensional Data

## Union - Viton



Description: Union - Viton  
PN16 / SDR 21 - 232psi

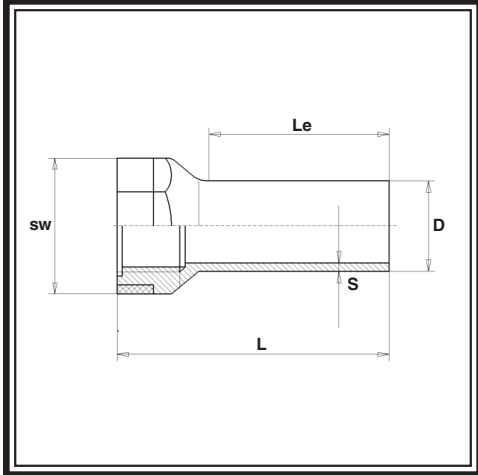
Material: Kynar® 740 PVDF

Connection: Butt Fusion

PN 16 / SDR 21									
Nominal Size	Actual OD Size	d	S	D	L	Le1	Le2	Weight	Part Number
		in	in	in	in	in	in	lbs	
½"	0.787 (20mm)	0.787	0.075	1.772	4.173	0.984	1.457	0.003	PF06270020
¾"	0.984 (25mm)	0.984	0.075	2.165	4.409	0.984	1.484	0.005	PF06270025
1"	1.260 (32mm)	1.260	0.094	2.441	4.646	0.984	1.579	0.007	PF06270032
1¼"	1.575 (40mm)	1.575	0.094	2.953	4.882	0.984	1.594	0.011	PF06270040
1½"	1.969 (50mm)	1.969	0.118	3.307	5.118	0.984	1.701	0.015	PF06270050
2"	2.480 (63mm)	2.480	0.118	3.976	5.354	0.984	1.720	0.023	PF06270063

# Chemical Process Piping Systems - Dimensional Data

## Female Adapter



Description: Female Adapter  
PN16 / SDR 21 - 232psi

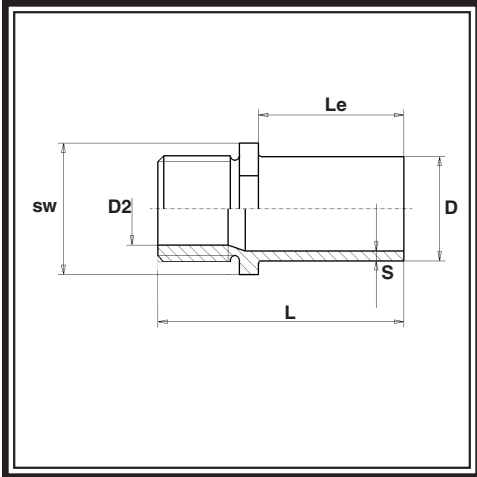
Material: Kynar® 740 PVDF

Connection: Butt Fusion

PN 16 / SDR 21								
Nominal Size	Actual OD Size	D in	S in	L in	Le in	sw in	Weight lbs	Part Number
½"	0.787 (20mm)	0.787	0.075	1.929	1.102	1.260	0.057	PF06130020
¾"	0.984 (25mm)	0.984	0.075	2.008	1.102	1.417	0.070	PF06130025
1"	1.260 (32mm)	1.260	0.094	2.126	1.102	1.811	0.128	PF06130032
1¼"	1.575 (40mm)	1.575	0.094	2.244	1.102	2.165	0.174	PF06130040
1½"	1.969 (50mm)	1.969	0.118	2.362	1.102	2.559	0.246	PF06130050
2"	2.480 (63mm)	2.480	0.118	2.520	1.142	2.953	0.394	PF06130063

# Chemical Process Piping Systems - Dimensional Data

## Male Adapter



Description: Male Adapter  
PN16 / SDR 21 - 232psi

Material: Kynar® 740 PVDF

Connection: Butt Fusion

PN 16 / SDR 21								
Nominal Size	Actual OD Size	D in	S in	L in	Le in	sw in	Weight lbs	Part Number
½"	0.787 (20mm)	0.787	0.075	2.087	1.102	1.260	0.055	PF06120020
¾"	0.984 (25mm)	0.984	0.075	2.165	1.102	1.417	0.070	PF06120025
1"	1.260 (32mm)	1.260	0.094	2.244	1.102	1.811	0.114	PF06120032
1¼"	1.575 (40mm)	1.575	0.094	2.362	1.102	2.165	0.165	PF06120040
1½"	1.969 (50mm)	1.969	0.118	2.480	1.102	2.559	0.246	PF06120050
2"	2.480 (63mm)	2.480	0.118	2.717	1.142	2.953	0.394	PF06120063

---

---

# **Chemical**Process Piping Systems - **Dimensional Data**

## NOTES:

---

---

# **Chemical**Process Piping Systems - **Dimensional Data**

## NOTES:

---

---

# **Chemical**Process Piping Systems - **Dimensional Data**

## NOTES:

---

---

# **Chemical**Process Piping Systems - **Dimensional Data**

**Simtech Industrial Products, Inc.**  
47-A Runway Road, Levittown, PA 19057  
Phone: 215-547-0444 Fax: 215-547-9129  
E-mail: info@SimtechUSA.com  
Web site: www.SimtechUSA.com

## **WARRANTY**

Simtech Industrial Products, Inc. products are warranted to be free from defects in materials and workmanship for one (1) year from date of shipment. No claim shall be permitted under this warranty unless Buyer gives Simtech Industrial Products, Inc. written notice of all respects in which Buyer claims the product to be defective. Notice must be received within ten (10) days from the date which the Buyer discovers, or should have discovered the defect. Buyer shall give Simtech Industrial Products, Inc. a reasonable opportunity to inspect the product after notice has been given. This warranty shall not apply to any products or components, which have been subjected to abnormal use, negligence or accident.

Seller's sole obligation under this warranty shall be limited solely on the repair or replacement, as elected by Simtech Industrial Products, Inc., of defective or nonconforming material. To the maximum extent permitted by law, Buyer irrevocably waives all claims for money damages relating to the condition, use and performance of the goods purchased. In no event shall Simtech Industrial Products, Inc. liability exceed the purchase price of the product sold by Simtech Industrial Products, Inc.

In no event, whether because of a breach of warranty or representation or any other cause, whether based upon contract, tort, warranty or otherwise, arising out of the performance or nonperformance by seller of its obligations under this agreement or with respect to the products sold pursuant here to; shall seller be liable for lost earnings, income or profits or indirect, incidental, liquidated or consequential damages.

The implied warranties of merchantability and fitness for a particular purpose except as set forth in this warranty, express or implied, are hereby disclaimed and excluded. Nothing shall be construed as an additional warranty unless specifically designated as such in writing and signed by Simtech Industrial Products, Inc.

Simtech Industrial Products, Inc. reserves the right, in its discretion, at any time and from time to time, to make changes to any specification, data or information contained herein.