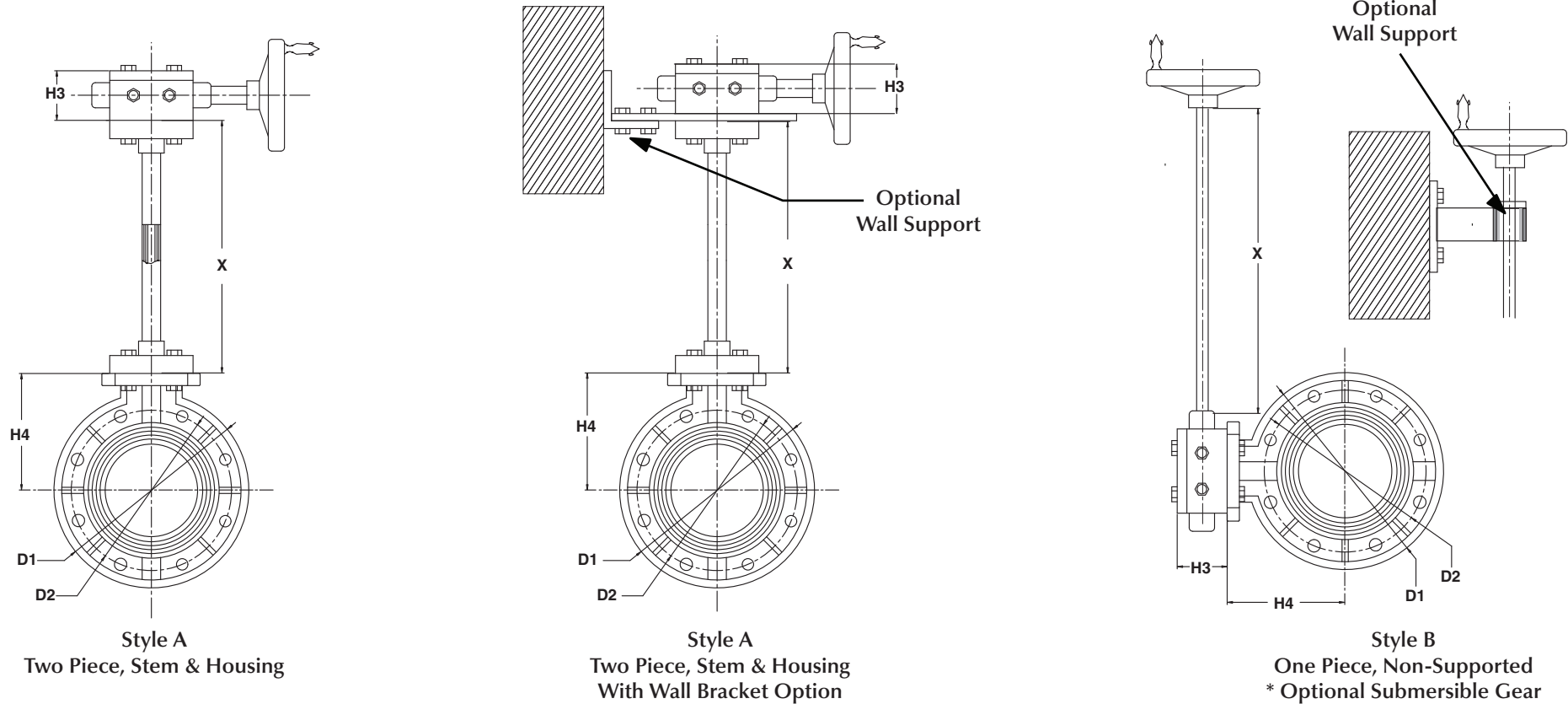


VP Series Butterfly Valve - Stem Extension

One Piece & Two Piece Stem and Housing

For Buried And Submersible Applications. Corrosion Resistant Thermoplastic Housing Protects Stem Extension From Aggressive Environments. Optional Epoxy Coated Carbon Steel Housing Is Also Available, As Well As Submersible Gear Operator.



* Optional Submersible Gear

- Rust-oleum # 9100 High Performance Epoxy Coating
- Master Gear # M10-SLO-50
- Cast Iron Cap
- Stainless Steel Trim
- Lip Seals
- Nitrotec Hand Wheel Stem
- Red Oxide Water Based Primer

SIMTECH
Phone: 877-777-2467 • Fax: 215-547-9129
www.SimtechUSA.com

| | | |
|--|----------|----------|
| SIMTECH Corrosion Resistant High Purity Piping Systems www.SimtechUSA.com | | |
| 47-A Runway Road, Levittown, PA 19057 Ph (215) 547-0444 | | |
| REF: Stem Extensions | | |
| APPROVED BY: Steve Mutton | | |
| SCALE: | N/A | |
| CAD #: | N/A | |
| REVISED: | 10-27-06 | |
| DATED: | 4-3-06 | 101027-C |

Drawing Subject to Change without Notice