
VP Series Electric Actuators and Accessories

Features & Benefits

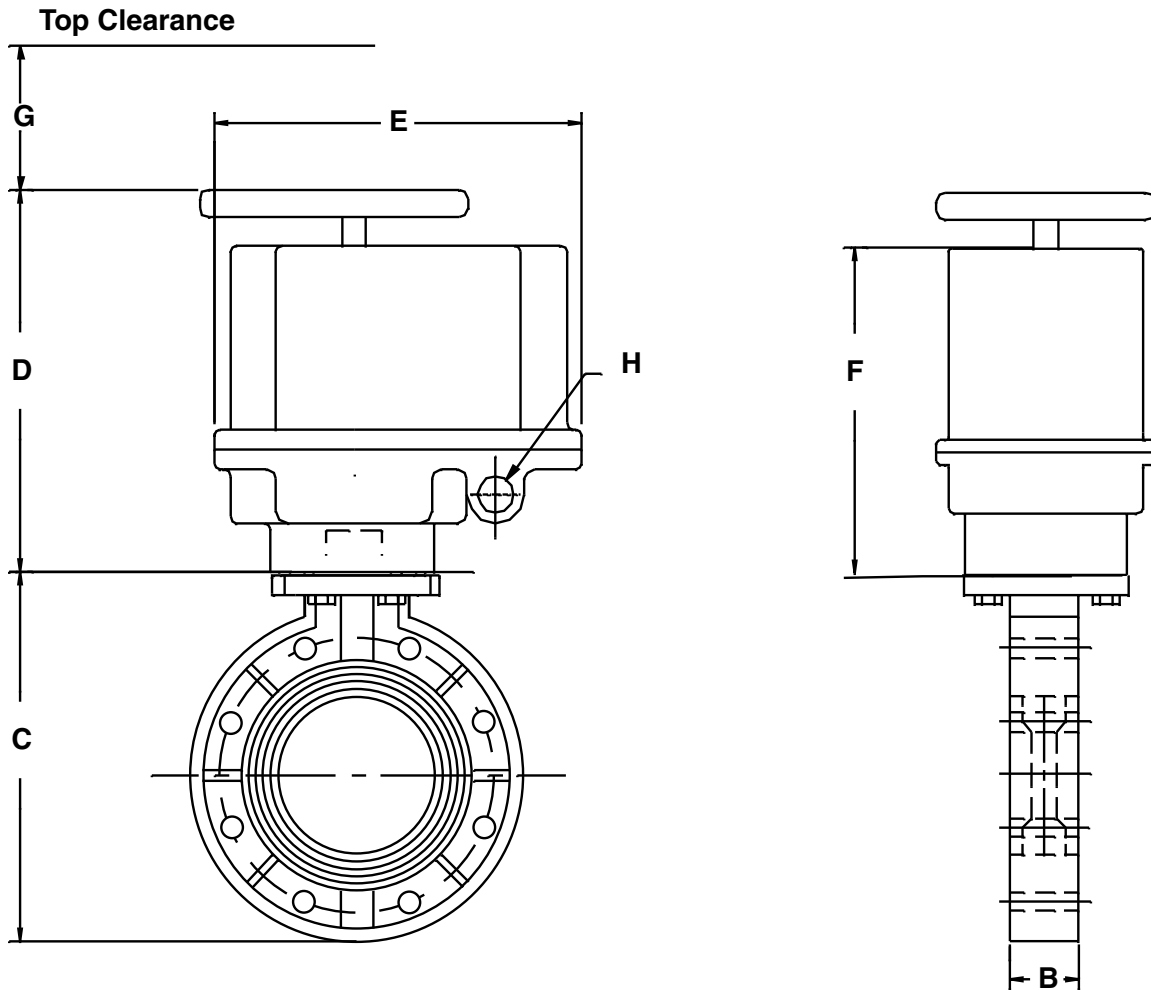
- Heavy duty gears can reduce down time due to gear failure.
- Permanent lubrication requires little or no maintenance.
- NEMA IV enclosure - Provides protection against splashing, seepage, falling or hose-directed water and severe external applications.
- Open/Close limit switches - SPDT limit switches permit independent fine-tuning of open and close positions.
- Cam-adjusted limit switches assure fast and easy adjustments.
- Extensive selection ranging from 100 in/lb to 27300 in/lb torque.
- Actuators can be mounted and operated in any position.
- Actuators can be used on diverse valve types and in a wide range of applications.
- Thermally bonded polyester coating provides a high degree of corrosion resistance.
- Stainless steel fasteners provide maximum corrosion protection for severe applications.
- Terminal strip assures a fast and easy field installation.
- Thermal over-load protection should the actuator become stalled.
- Reversing Motor.

Accessories & Options

- Auxiliary Switches - Dry contact switches for position indication or control of peripheral equipment.
- Feedback potentiometer - Resistive position feedback and control applications.
- Control relays - Two wire control applications.
- Heater & thermostat - Low temperature or high humidity applications.
- Breather & drain - Humidity control.
- Proportional Positioner - Control applications using analog (4-20mA, 0-10vdc) signals.
- Feedback transmitter - Position feedback, 4-20mA.
- Brakes - Butterfly valve automation and applications requiring true holding power.
- Speed control - Applications requiring slower cycle times, i.e. water hammer.
- Timers - Repeat cycle applications, valve open and close at same time every day.
- Visual indicator - Fast visual valve position indication.
- Torque sensor - Shuts actuator off in stall condition.
- Controls - Simple on/off to process control for temperature, pressure, flow, etc.
- Mounting hardware - To adapt actuator to valve.

VP Series Electric Actuators and Accessories

Dimensional Data



Electric Actuator							
Dia. Inches	B	C	D	E	F	G	H
2	1.69	7.30	13.18	6.8	5.88	2.50	1/2 NPT
2½	1.87	8.09	13.97	6.88	5.88	3.00	1/2 NPT
3	1.87	8.46	16.95	7.00	8.49	4.00	1/2 NPT
4	2.25	9.84	18.33	7.00	8.49	4.00	1/2 NPT
5	2.60	11.56	20.05	7.00	8.49	4.00	1/2 NPT
6	2.90	12.66	21.15	7.00	8.49	4.00	1/2 NPT
8	3.44	15.02	26.08	10.00	11.06	6.00	3/4 NPT
10	4.33	20.91	31.97	10.00	11.06	6.00	3/4 NPT
12	5.20	25.14	38.24	13.00	13.10	7.00	3/4 NPT
14	5.00	26.77	39.87	13.00	13.10	7.00	3/4 NPT
16	6.61	30.51	43.61	13.00	13.10	7.00	3/4 NPT
18	7.05	32.28	45.38	13.00	13.10	7.00	3/4 NPT
20	7.48	35.39	48.49	13.00	13.10	7.00	3/4 NPT
24	8.23	41.16	54.26	13.00	13.10	7.00	3/4 NPT