

> MATERIAL:

303 Stainless Steel

PHONE: 516.328.3300 • FAX: 516.326.8827 • WWW.SDP-SI.COM

Use with S1268Z...series of hubless gears.

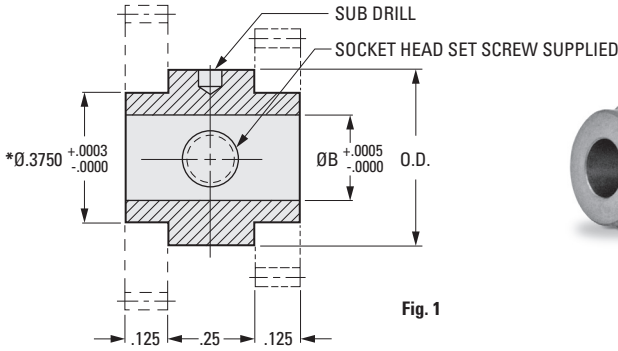
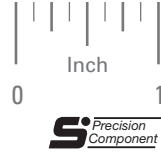


Fig. 1

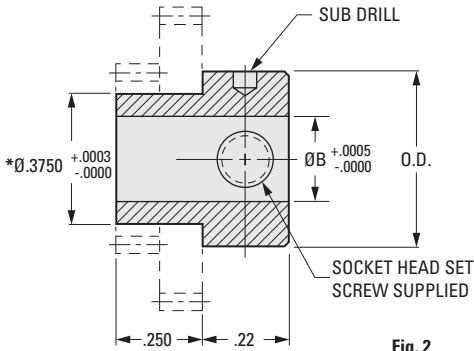
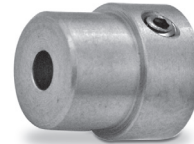


Fig. 2



*.3750 Diameters Concentric to bore within .0003 T.I.R.

INCH COMPONENT

Catalog Number	B Bore	O.D.	Set Screw
Fig. 1			
S2706Y-125078CL	.0781	7/16	#2-56
S2706Y-125120CL	.1200	7/16	#2-56
S2706Y-125125CL	.1248	7/16	#2-56
S2706Y-125156CL	.1562	7/16	#2-56
S2706Y-125187CL	.1873	7/16	#4-40
S2706Y-125250CL	.2498	1/2	#6-32
Fig. 2			
S2706Y-250078CL	.0781	7/16	#2-56
S2706Y-250120CL	.1200	7/16	#2-56
S2706Y-250125CL	.1248	7/16	#2-56
S2706Y-250156CL	.1562	7/16	#2-56
S2706Y-250187CL	.1873	7/16	#4-40
S2706Y-250250CL	.2498	1/2	#6-32

