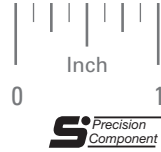


MINI-LASH GEARS • 72 PITCH



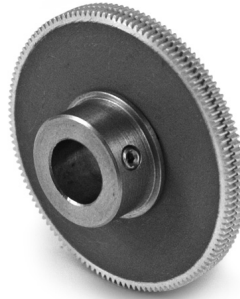
AGMA 10
 .104 FACE
 1/8, 3/16 & 1/4 BORE
 20° PRESSURE ANGLE

PHONE: 516.328.3300 • FAX: 516.326.8827 • WWW.SDP-SI.COM



> MATERIAL:

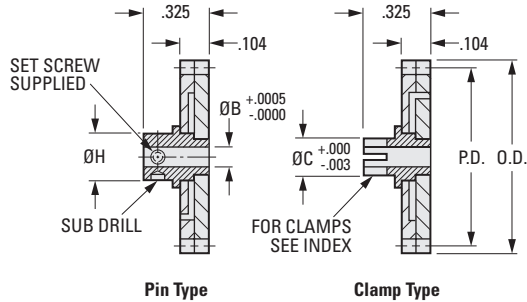
- Gears** - 303 Stainless Steel
 2024-T4 or -T351 Aluminum Alloy,
 anodized before cutting.
- Hubs** - 303 Stainless Steel
- Springs** - 302 Stainless Steel, Torsion Type,
 Spring Temper



> HUB STYLE: PIN OR CLAMP TYPE

| B Bore Selection | | H Pin Type | | C Clamp Type | |
|------------------|--------------|------------|------|--------------|------|
| Code | Size | Code | Dia. | Code | Dia. |
| 3 | .1248 (1/8) | 2 | .312 | 3 | .187 |
| 4 | .1873 (3/16) | 4 | .375 | 5 | .250 |
| 6 | .2498 (1/4) | 6 | .437 | 7 | .312 |

Available on special order:
 14-1/2° P.A., teeth not listed, different
 bore size, passivation for Stainless Steel.



INCH COMPONENT CATALOG NUMBER

S971 A-Z F P

B Bore Code

- .1248 (1/8) 3
- .1873 (3/16) 4
- .2498 (1/4) 6

No. of Teeth Code

Hub Style Code (See above)

- Pin Type 2, 4 or 6
- Clamp Type 3, 5 or 7

Material Code - Gears

- 303 Stainless Steel
- 2024-T4 or -T351 Aluminum Alloy, anodized before cutting. A

Example:
 S9713A-Z2F054-P is a Stainless Steel Pin Type
 Mini-Lash Gear with 54 Teeth and .1248 Bore.

| No. of Teeth Code | No. of Teeth | P.D. | O.D. |
|-------------------|--------------|--------|-------|
| 036 | 36 | .5000 | .528 |
| 038 | 38 | .5278 | .556 |
| 040 | 40 | .5555 | .583 |
| 042 | 42 | .5833 | .611 |
| 044 | 44 | .6111 | .639 |
| 045 | 45 | .6250 | .653 |
| 046 | 46 | .6389 | .667 |
| 048 | 48 | .6667 | .694 |
| 050 | 50 | .6944 | .722 |
| 052 | 52 | .7222 | .750 |
| 054 | 54 | .7500 | .778 |
| 056 | 56 | .7778 | .806 |
| 058 | 58 | .8055 | .833 |
| 060 | 60 | .8333 | .861 |
| 062 | 62 | .8611 | .889 |
| 064 | 64 | .8889 | .917 |
| 066 | 66 | .9167 | .944 |
| 068 | 68 | .9444 | .972 |
| 070 | 70 | .9722 | 1.000 |
| 072 | 72 | 1.0000 | 1.028 |
| 076 | 76 | 1.0555 | 1.083 |
| 080 | 80 | 1.1111 | 1.139 |
| 084 | 84 | 1.1667 | 1.194 |
| 088 | 88 | 1.2222 | 1.250 |

