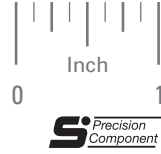


AGMA 10
1/8 FACE
1/4 BORE
20° PRESSURE ANGLE

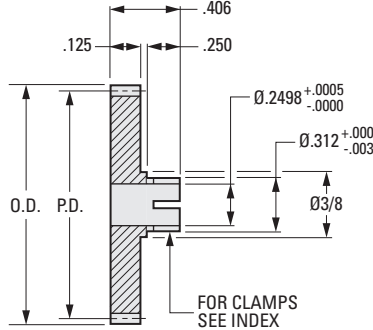
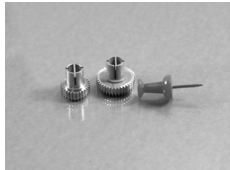
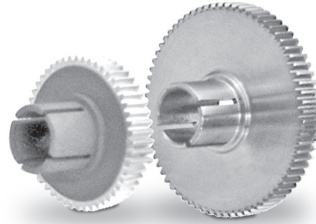
PHONE: 516.328.3300 • FAX: 516.326.8827 • WWW.SDP-SI.COM



> MATERIAL:

303 Stainless Steel
2024-T4 or -T351 Aluminum Alloy,
anodized before cutting.

Available on special order:
14-1/2° P.A., teeth not listed, different
bore size and/or material, passivation
for Stainless Steel.



INCH COMPONENT

Catalog Number		No. of Teeth	P.D.	O.D.
303 Stainless Steel	2024 Aluminum Anodized			
S1166Z-072S027	S1166Z-072A027	27	.3750	.403
S1166Z-072S028	S1166Z-072A028	28	.3889	.417
S1166Z-072S030	S1166Z-072A030	30	.4167	.444
S1166Z-072S032	S1166Z-072A032	32	.4444	.472
S1166Z-072S036	S1166Z-072A036	36	.5000	.528
S1166Z-072S038	S1166Z-072A038	38	.5278	.556
S1166Z-072S040	S1166Z-072A040	40	.5556	.583
S1166Z-072S042	S1166Z-072A042	42	.5833	.611
S1166Z-072S044	S1166Z-072A044	44	.6111	.639
S1166Z-072S045	S1166Z-072A045	45	.6250	.653
S1166Z-072S046	S1166Z-072A046	46	.6389	.667
S1166Z-072S048	S1166Z-072A048	48	.6667	.694
S1166Z-072S050	S1166Z-072A050	50	.6944	.722
S1166Z-072S056	S1166Z-072A056	56	.7778	.806
S1166Z-072S060	S1166Z-072A060	60	.8333	.861
S1166Z-072S063	S1166Z-072A063	63	.8750	.903
S1166Z-072S064	S1166Z-072A064	64	.8889	.917
S1166Z-072S070	S1166Z-072A070	70	.9722	1.000
S1166Z-072S072	S1166Z-072A072	72	1.0000	1.028
S1166Z-072S075	S1166Z-072A075	75	1.0417	1.069
S1166Z-072S080	S1166Z-072A080	80	1.1111	1.139
S1166Z-072S090	S1166Z-072A090	90	1.2500	1.278
S1166Z-072S099	S1166Z-072A099	99	1.3750	1.403
S1166Z-072S108	S1166Z-072A108	108	1.5000	1.528
S1166Z-072S126	S1166Z-072A126	126	1.7500	1.778
S1166Z-072S144	S1166Z-072A144	144	2.0000	2.028
S1166Z-072S180	S1166Z-072A180	180	2.5000	2.528
S1166Z-072S198	S1166Z-072A198	198	2.7500	2.778
S1166Z-072S216	S1166Z-072A216	216	3.0000	3.028

