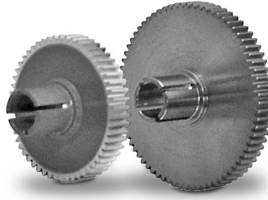
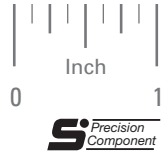


CLAMP TYPE SPUR GEARS • 72 PITCH



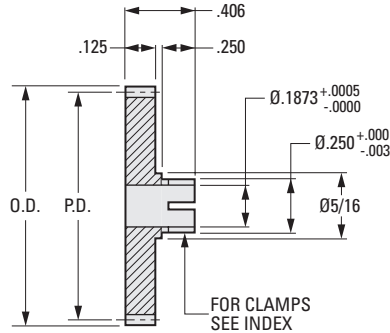
AGMA 10
1/8 FACE
3/16 BORE
20° PRESSURE ANGLE

PHONE: 516.328.3300 • FAX: 516.326.8827 • WWW.SDP-SI.COM



MATERIAL:
303 Stainless Steel
2024 Aluminum, Anodized
T4 or T351 Aluminum Alloy,
anodized before cutting

Available on special order:
14-1/2° P.A., teeth not listed, different
bore size and/or material, passivation
for Stainless Steel.



INCH COMPONENT		No. of Teeth	P.D.	O.D.
Catalog Number				
303 Stainless Steel	2024 Aluminum Anodized			
S1164Z-072S024	S1164Z-072A024	24	.3333	.361
S1164Z-072S027	S1164Z-072A027	27	.3750	.403
S1164Z-072S028	S1164Z-072A028	28	.3889	.417
S1164Z-072S030	S1164Z-072A030	30	.4167	.444
S1164Z-072S032	S1164Z-072A032	32	.4444	.472
S1164Z-072S036	S1164Z-072A036	36	.5000	.528
S1164Z-072S038	S1164Z-072A038	38	.5278	.556
S1164Z-072S040	S1164Z-072A040	40	.5556	.583
S1164Z-072S042	S1164Z-072A042	42	.5833	.611
S1164Z-072S044	S1164Z-072A044	44	.6111	.639
S1164Z-072S045	S1164Z-072A045	45	.6250	.653
S1164Z-072S046	S1164Z-072A046	46	.6389	.667
S1164Z-072S048	S1164Z-072A048	48	.6667	.694
S1164Z-072S050	S1164Z-072A050	50	.6944	.722
S1164Z-072S054	S1164Z-072A054	54	.7500	.778
S1164Z-072S060	S1164Z-072A060	60	.8333	.861
S1164Z-072S064	S1164Z-072A064	64	.8889	.917
S1164Z-072S070	S1164Z-072A070	70	.9722	1.000
S1164Z-072S072	S1164Z-072A072	72	1.0000	1.028
S1164Z-072S080	S1164Z-072A080	80	1.1111	1.139
S1164Z-072S084	S1164Z-072A084	84	1.1667	1.194
S1164Z-072S090	S1164Z-072A090	90	1.2500	1.278
S1164Z-072S096	S1164Z-072A096	96	1.3333	1.361
S1164Z-072S100	S1164Z-072A100	100	1.3889	1.417
S1164Z-072S108	S1164Z-072A108	108	1.5000	1.528
S1164Z-072S110	S1164Z-072A110	110	1.5278	1.556
S1164Z-072S120	S1164Z-072A120	120	1.6667	1.694
S1164Z-072S126	S1164Z-072A126	126	1.7500	1.778
S1164Z-072S130	S1164Z-072A130	130	1.8056	1.833
S1164Z-072S140	S1164Z-072A140	140	1.9444	1.972