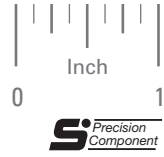


AGMA 10
1/8 FACE
3/16 BORE
20° PRESSURE ANGLE

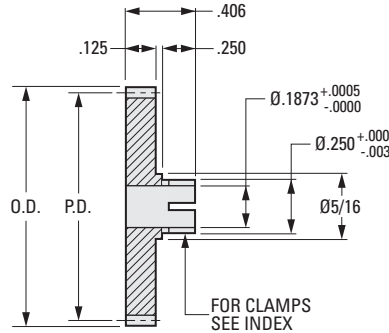
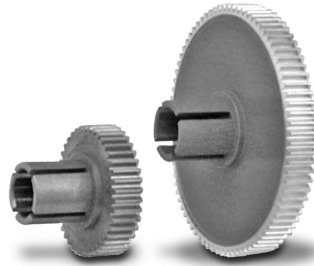
PHONE: 516.328.3300 • FAX: 516.326.8827 • WWW.SDP-SI.COM



► MATERIAL:

- 303 Stainless Steel
- 2024 Aluminum, Anodized
- T4 or T351 Aluminum Alloy, anodized before cutting

Available on special order:
14-1/2° P.A., teeth not listed, different bore size and/or material, passivation for Stainless Steel.



INCH COMPONENT

Catalog Number		No. of Teeth	P.D.	O.D.
303 Stainless Steel	2024 Aluminum Anodized			
S1164Z-080S025	S1164Z-080A025	25	.3125	.338
S1164Z-080S026	S1164Z-080A026	26	.3250	.350
S1164Z-080S027	S1164Z-080A027	27	.3375	.363
S1164Z-080S028	S1164Z-080A028	28	.3500	.375
S1164Z-080S030	S1164Z-080A030	30	.3750	.400
S1164Z-080S032	S1164Z-080A032	32	.4000	.425
S1164Z-080S036	S1164Z-080A036	36	.4500	.475
S1164Z-080S038	S1164Z-080A038	38	.4750	.500
S1164Z-080S040	S1164Z-080A040	40	.5000	.525
S1164Z-080S042	S1164Z-080A042	42	.5250	.550
S1164Z-080S044	S1164Z-080A044	44	.5500	.575
S1164Z-080S045	S1164Z-080A045	45	.5625	.588
S1164Z-080S048	S1164Z-080A048	48	.6000	.625
S1164Z-080S050	S1164Z-080A050	50	.6250	.650
S1164Z-080S055	S1164Z-080A055	55	.6875	.713
S1164Z-080S060	S1164Z-080A060	60	.7500	.775
S1164Z-080S064	S1164Z-080A064	64	.8000	.825
S1164Z-080S065	S1164Z-080A065	65	.8125	.838
S1164Z-080S070	S1164Z-080A070	70	.8750	.900
S1164Z-080S072	S1164Z-080A072	72	.9000	.925
S1164Z-080S075	S1164Z-080A075	75	.9375	.963
S1164Z-080S080	S1164Z-080A080	80	1.0000	1.025
S1164Z-080S085	S1164Z-080A085	85	1.0625	1.088
S1164Z-080S090	S1164Z-080A090	90	1.1250	1.150
S1164Z-080S100	S1164Z-080A100	100	1.2500	1.275
S1164Z-080S110	S1164Z-080A110	110	1.3750	1.400
S1164Z-080S120	S1164Z-080A120	120	1.5000	1.525
S1164Z-080S130	S1164Z-080A130	130	1.6250	1.650
S1164Z-080S140	S1164Z-080A140	140	1.7500	1.775
S1164Z-080S150	S1164Z-080A150	150	1.8750	1.900