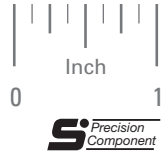


CLAMP TYPE SPUR GEARS • 96 PITCH



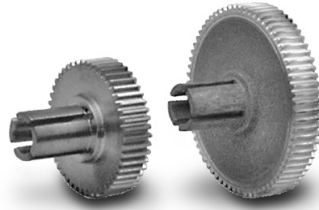
AGMA 10
1/8 FACE
1/8 BORE
20° PRESSURE ANGLE

PHONE: 516.328.3300 • FAX: 516.326.8827 • WWW.SDP-SI.COM

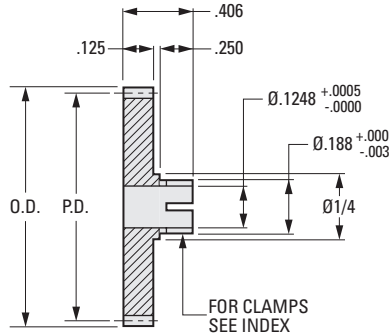


MATERIAL:

- 303 Stainless Steel
- 2024 Aluminum, Anodized
- T4 or T351 Aluminum Alloy, anodized before cutting



Available on special order:
14-1/2° P.A., teeth not listed, different bore size and/or material, passivation for Stainless Steel.



INCH COMPONENT

Catalog Number		No. of Teeth	P.D.	O.D.
303 Stainless Steel	2024 Aluminum Anodized			
S1163Z-096S024	S1163Z-096A024	24	.2500	.271
S1163Z-096S028	S1163Z-096A028	28	.2917	.313
S1163Z-096S030	S1163Z-096A030	30	.3125	.333
S1163Z-096S032	S1163Z-096A032	32	.3333	.354
S1163Z-096S034	S1163Z-096A034	34	.3542	.375
S1163Z-096S036	S1163Z-096A036	36	.3750	.396
S1163Z-096S038	S1163Z-096A038	38	.3958	.417
S1163Z-096S040	S1163Z-096A040	40	.4167	.438
S1163Z-096S042	S1163Z-096A042	42	.4375	.458
S1163Z-096S044	S1163Z-096A044	44	.4583	.479
S1163Z-096S046	S1163Z-096A046	46	.4792	.500
S1163Z-096S048	S1163Z-096A048	48	.5000	.521
S1163Z-096S050	S1163Z-096A050	50	.5208	.542
S1163Z-096S054	S1163Z-096A054	54	.5625	.583
S1163Z-096S056	S1163Z-096A056	56	.5833	.604
S1163Z-096S060	S1163Z-096A060	60	.6250	.646
S1163Z-096S064	S1163Z-096A064	64	.6667	.688
S1163Z-096S070	S1163Z-096A070	70	.7292	.750
S1163Z-096S072	S1163Z-096A072	72	.7500	.771
S1163Z-096S076	S1163Z-096A076	76	.7917	.813
S1163Z-096S080	S1163Z-096A080	80	.8333	.854
S1163Z-096S084	S1163Z-096A084	84	.8750	.896
S1163Z-096S090	S1163Z-096A090	90	.9375	.958
S1163Z-096S096	S1163Z-096A096	96	1.0000	1.021
S1163Z-096S100	S1163Z-096A100	100	1.0417	1.063
S1163Z-096S120	S1163Z-096A120	120	1.2500	1.271
S1163Z-096S144	S1163Z-096A144	144	1.5000	1.521
S1163Z-096S156	S1163Z-096A156	156	1.6250	1.646
S1163Z-096S168	S1163Z-096A168	168	1.7500	1.771
S1163Z-096S180	S1163Z-096A180	180	1.8750	1.896