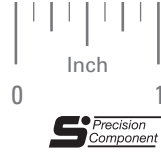


AGMA 10
 3/32 FACE
 1/8 BORE
 20° PRESSURE ANGLE

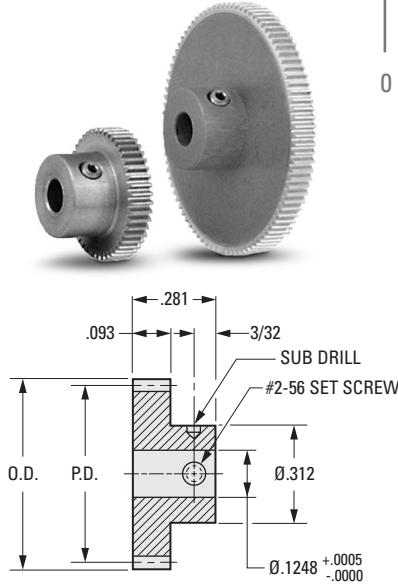
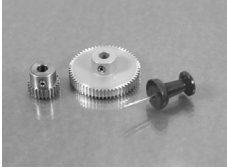
PHONE: 516.328.3300 • FAX: 516.326.8827 • WWW.SDP-SI.COM



> MATERIAL:

- 303 Stainless Steel
- 2024 Aluminum, Anodized
- T4 or T351 Aluminum Alloy, anodized before cutting

Available on special order:
 14-1/2° P.A., teeth not listed, different bore size and/or material, passivation for Stainless Steel.



INCH COMPONENT

Catalog Number		No. of Teeth	P.D.	O.D.
303 Stainless Steel	2024 Aluminum Anodized			
S1043Z-096S024	S1043Z-096A024	24Δ	.2500	.271
S1043Z-096S026	S1043Z-096A026	26Δ	.2708	.292
S1043Z-096S028	S1043Z-096A028	28Δ	.2917	.313
S1043Z-096S030	S1043Z-096A030	30Δ	.3125	.333
S1043Z-096S032	S1043Z-096A032	32Δ	.3333	.354
S1043Z-096S036	S1043Z-096A036	36	.3750	.396
S1043Z-096S040	S1043Z-096A040	40	.4167	.438
S1043Z-096S042	S1043Z-096A042	42	.4375	.458
S1043Z-096S044	S1043Z-096A044	44	.4583	.479
S1043Z-096S046	S1043Z-096A046	46	.4792	.500
S1043Z-096S048	S1043Z-096A048	48	.5000	.521
S1043Z-096S050	S1043Z-096A050	50	.5208	.542
S1043Z-096S054	S1043Z-096A054	54	.5625	.583
S1043Z-096S056	S1043Z-096A056	56	.5833	.604
S1043Z-096S060	S1043Z-096A060	60	.6250	.646
S1043Z-096S064	S1043Z-096A064	64	.6667	.688
S1043Z-096S065	S1043Z-096A065	65	.6771	.698
S1043Z-096S070	S1043Z-096A070	70	.7292	.750
S1043Z-096S072	S1043Z-096A072	72	.7500	.771
S1043Z-096S075	S1043Z-096A075	75	.7813	.802
S1043Z-096S080	S1043Z-096A080	80	.8333	.854
S1043Z-096S084	S1043Z-096A084	84	.8750	.896
S1043Z-096S090	S1043Z-096A090	90	.9375	.958
S1043Z-096S096	S1043Z-096A096	96	1.0000	1.021
S1043Z-096S100	S1043Z-096A100	100	1.0417	1.063
S1043Z-096S105	S1043Z-096A105	105	1.0938	1.115
S1043Z-096S108	S1043Z-096A108	108	1.1250	1.146

Δ Hob cuts into hub. Hub diameter never exceeds gear O.D.

