

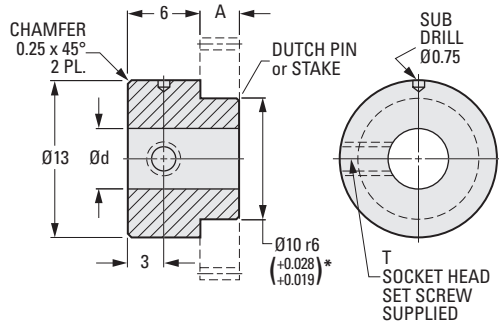
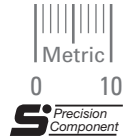
> **MATERIAL:**

303 Stainless Steel

> **SPECIFICATION:**

d bore and mounting diameter are concentric to 0.008 mm.

Available as special order:  
Hubs assembled to gears or  
dials and passivation



The projections shown are per ISO convention.

**METRIC COMPONENT**

Catalog Number	A	d Bore H7	d Tolerance	T Set Screw
S200MYM016025	1.6	2.5	+0.01/0	M2
S200MYM032025	3.2	2.5	+0.01/0	M2
S200MYM016030	1.6	3	+0.01/0	M2
S200MYM032030	3.2	3	+0.01/0	M2
S200MYM016040	1.6	4	+0.012/0	M2
S200MYM032040	3.2	4	+0.012/0	M2
S200MYM016050	1.6	5	+0.012/0	M3
S200MYM032050	3.2	5	+0.012/0	M3
S200MYM016060	1.6	6	+0.012/0	M3
S200MYM032060	3.2	6	+0.012/0	M3
S200MYM016080	1.6	8	+0.015/0	M3
S200MYM032080	3.2	8	+0.015/0	M3

\* To provide press fit, use tolerance according to H7 for the mating part bore diameter.