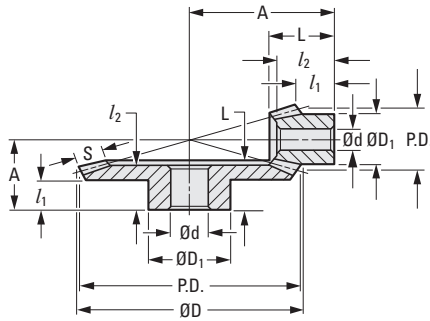


MODULE 0.5, 0.8, 1, 1.5, 2, 2.5, & 3  
20° PRESSURE ANGLE

PHONE: 516.328.3300 • FAX: 516.326.8827 • WWW.SDP-SI.COM

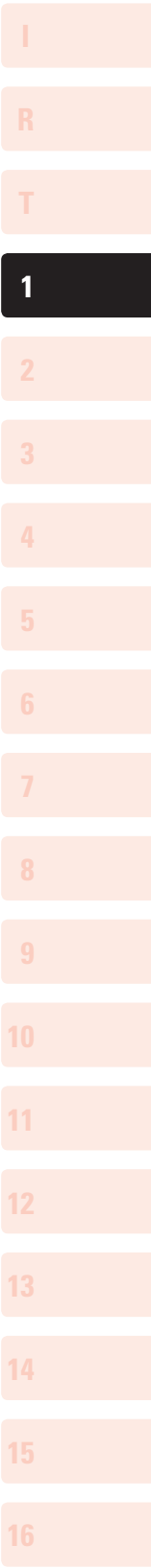
› MATERIAL:  
Acetal



**METRIC COMPONENT**

Catalog Number	Mod.	No. of Teeth	P.D.	D Dia.	d Bore	S Face Width	L Length	D <sub>1</sub> Hub Dia.	l Hub Proj.	A	l <sub>2</sub>
<b>Ratio 1:1.5</b>											
A 1M 3MYZ1516	1.5	16	24	26	8	8	18.8	20	10.8	30	17.8
A 1M 3MYZ1524	1.5	24	36	37	10	8	19.6	24	11.3	26.6	18.2
<b>Ratio 1:2</b>											
A 1M 3MYH0520	0.5	20	10	11.2	3	2.5	8.5	8	4	16	8.5
A 1M 3MYH0540	0.5	40	20	20.3	4	2.5	8.3	12	4	12	7
A 1M 3MYH0820	0.8	20	16	17.9	4	3.5	11.5	12	5	24	11.5
A 1M 3MYH0840	0.8	40	32	32.5	5	3.5	11.9	15	6	18	10
A 1M 3MYH1020	1	20	20	22.4	5	4.5	14.5	15	7	30	14.5
A 1M 3MYH1040	1	40	40	40.6	6	4.5	14.5	18	7	22	12
A 1M 3MYZ1015	1	15	15	16.8	5	6.6	17	12.2	10.6	26.4	17
A 1M 3MYZ1030	1	30	30	31.1	8	6.6	16.2	18	9.1	20.9	14.8
A 1M 3MYZ1515	1.5	15	22.5	25.4	8	10.5	22.8	17	11.5	35.8	22.8
A 1M 3MYZ1530	1.5	30	45	46.4	10	10.5	19.5	23.4	9.6	26.2	17.5
A 1M 3MYZ2015	2	15	30	33.6	10	14.6	27	22.5	11.8	44.2	26
A 1M 3MYZ2015A	2	15	30	33.6	15	14.6	27	22.5	11.8	44.2	26
A 1M 3MYZ2030A	2	30	60	62.2	10	14.6	24.2	30.2	11.8	32.6	22.6
A 1M 3MYZ2030	2	30	60	62.2	12	14.6	24.2	30.2	11.8	32.6	22.6
A 1M 3MYZ2030B	2	30	60	62.2	15	14.6	24.2	30.2	11.8	32.6	22.6
A 1M 3MYZ2515	2.5	15	37.5	42	12	17.3	31.2	26.5	13	53.3	29.6
A 1M 3MYZ2530A	2.5	30	75	77.3	14	17.3	29.5	36.1	15	40.5	27.5
A 1M 3MYZ2530	2.5	30	75	77.3	16	17.3	29.5	36.1	15	40.5	27.5
A 1M 3MYZ3015	3	15	45	50.3	14	20.5	36.3	31.2	14.8	63.3	35
A 1M 3MYZ3030	3	30	90	93	18	20.5	37	45	19	49.5	34.2
A 1M 3MYZ3030A	3	30	90	93	35	20.5	37	45	19	49.5	34.2

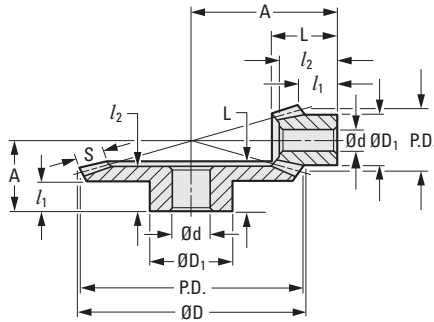
Continued on the next page



MODULE 1, 1.5, 2, 2.5  
20° PRESSURE ANGLE

PHONE: 516.328.3300 • FAX: 516.326.8827 • WWW.SDP-SI.COM

› **MATERIAL:**  
Acetal



**METRIC COMPONENT**

Catalog Number	Mod.	No. of Teeth	P.D.	D Dia.	d Bore	S Face Width	L Length	D <sub>1</sub> Hub Dia.	l Hub Proj.	A	l <sub>2</sub>
<b>Ratio 1:3</b>											
A 1M33MYZ1015A	1	15	15	16.6	4	9.2	20.4	12.3	11	34.3	—
A 1M33MYZ1015	1	15	15	16.6	5	9.2	20.4	12.3	11	34.3	—
A 1M33MYZ1045	1	45	45	46.1	10	9.2	18.2	23.4	9.6	22.7	16.5
A 1M33MYZ1045A	1	45	45	46.1	12	9.2	18.2	23.4	9.6	22.7	16.5
A 1M33MYZ1515	1.5	15	22.5	25.1	8	14	26.8	17.2	12.5	47.9	—
A 1M33MYZ1545	1.5	45	67.5	68.8	12	14	23	30.4	11.5	29.4	21.5
A 1M33MYZ2010	2	10	20	24	6	12.5	25	15.5	12	43.7	—
A 1M33MYZ2030	2	30	60	61.7	12	12.5	22.5	30.3	11.5	28	19.8
A 1M33MYZ2510	2.5	10	25	29.7	8	15.7	28.8	18.8	13	52.4	—
A 1M33MYZ2530	2.5	30	75	77.2	18	15.7	29	36.1	15.5	35.7	25.2
<b>Ratio 1:4</b>											
A 1M 3MYZ1010	1	10	10	12	4	8.2	17.7	7.8	9.3	30.1	—
A 1M 3MYZ1040	1	40	40	40.8	10	8.2	17	23.4	10.8	20.1	15.7
A 1M 3MYZ1510	1.5	10	15	18	5	12.3	23.5	11.3	10.9	41.7	—
A 1M 3MYZ1540	1.5	40	60	61.2	12	12.3	21.7	30.4	12.8	26.2	20
A 1M 3MYZ2010	2	10	20	23.8	6	16.3	28.9	14.3	12.8	54	—
A 1M 3MYZ2040A	2	40	80	81.5	10	16.3	27	36	16.6	32.5	24.7
A 1M 3MYZ2040	2	40	80	81.5	18	16.3	27	36	16.6	32.5	24.7
<b>Ratio 1:5</b>											
A 1M 3MYZ1012	1	12	12	13.7	4	9.5	20.3	9.5	10	40.5	—
A 1M 3MYZ1060	1	60	60	60.4	10	9.5	17.4	20.5	11	21	15.5

Continued from the previous page

