

ISO CLASS 8
MODULE 0.5, 0.8 & 1
20° PRESSURE ANGLE

PHONE: 516.328.3300 • FAX: 516.326.8827 • WWW.SDP-SI.COM



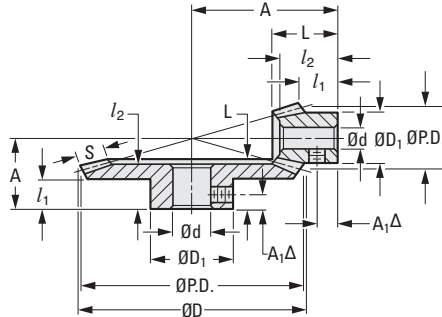
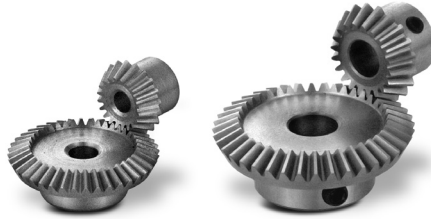
QUALITY CLASS

> MATERIAL:
Brass or Steel

> SPECIFICATIONS:

Brass Bore Tolerance: 3 mm +0.014/0
4, 5 & 6 mm +0.018/0

Steel Bore Tolerance: 6 mm +0.012/0
8 & 10 mm +0.015/0



Δ Only A 1C33MYK10020S and A 1C33MYK10040S have tapped holes with set screw

METRIC COMPONENT

Catalog Number	Mod.	No. of Teeth	P.D.	D Dia.	d Bore H8	S Face Width	L Length	D ₁ Hub Dia.	l ₁ Hub Proj.	A	l ₂
Ratio 1:2 Brass											
A 1B 3MYK05020	0.5	20	10	10.89	3	3.2	8.54	8	5	15.52	8
A 1B 3MYK05040	0.5	40	20	20.45	4	3.2	7.31	12	4	10.56	6.3
A 1B 3MYK08020	0.8	20	16	17.43	5	4.5	10.79	12	5.5	22.5	10
A 1B 3MYK08040	0.8	40	32	32.72	6	4.5	11.01	20	6	16.46	9.5

Catalog Number	Mod.	No. of Teeth	P.D.	D Dia.	d Bore H7	S Face Wdth.	L Lgth.	D ₁ Hub Dia.	l ₁ Hub Proj.	A	l ₂	A ₁	Set Screw ^Δ
Ratio 1:2 Steel													
A 1C 3MYK10020	1	20	20	21.79	6	5.7	15.03	16	8.6	29.6	14	—	—
A 1C 3MYK10040	1	40	40	40.89	8	5.7	15.02	25	8	21.8	13	—	—
A 1C33MYK10020S	1	20	20	21.79	8	5.7	15.03	16	8.6	29.6	14	4	M4
A 1C33MYK10040S	1	40	40	40.89	10	5.7	15.02	25	8	21.8	13	4	M5
Ratio 1:3 Steel													
A 1C 3MYK10015	1	15	15	17.67	6	6.7	15.16	13	8.17	31	14.4	—	—
A 1C 3MYK10045	1	45	45	45.37	10	6.7	14.97	25	8	20	12.9	—	—