

# NONMETALLIC SPUR GEARS • MODULE 0.8

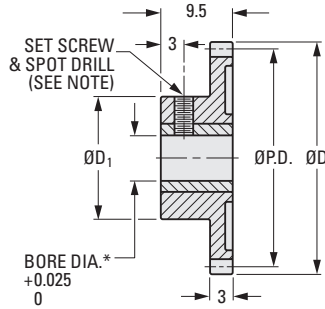
# SDP/SI

PHONE: 516.328.3300 • FAX: 516.326.8827 • WWW.SDP-SI.COM

ISO CLASS 9  
3 mm FACE WIDTH  
20° PRESSURE ANGLE



**QUALITY CLASS**



## METRIC COMPONENT CATALOG NUMBER

A 1 P 2 M Y D 0 8



No. of Teeth Code

\* BORE CODE

- A 3 mm Dia.
- B 4 mm Dia.
- C 5 mm Dia.
- D 6 mm Dia.

No. of Teeth Code	No. of Teeth	P.D.	D Dia.	D <sub>1</sub> Hub Dia.
020	20	16	17.6	13
022	22	17.6	19.2	13
024	24	19.2	20.8	13
025	25	20	21.6	13
026	26	20.8	22.4	13
028	28	22.4	24	13
030	30	24	25.6	16
032	32	25.6	27.2	16
034	34	27.2	28.8	16
035	35	28	29.6	16
036	36	28.8	30.4	16
038	38	30.4	32	16
040	40	32	33.6	16
042	42	33.6	35.2	16

No. of Teeth Code	No. of Teeth	P.D.	D Dia.	D <sub>1</sub> Hub Dia.
044	44	35.2	36.8	16
045	45	36	37.6	16
048	48	38.4	40	19
050	50	40	41.6	19
052	52	41.6	43.2	19
055	55	44	45.6	19
056	56	44.8	46.4	19
060	60	48	49.6	19
064	64	51.2	52.8	19
065	65	52	53.6	19
070	70	56	57.6	19
072	72	57.6	59.2	19
075	75	60	61.6	19
080	80	64	65.6	19

**NOTE:** Gears with 3 mm & 4 mm bore have M2.5 set screw & spot drill.  
5 mm & 6 mm bore have M3 set screw & spot drill.