

# NONMETALLIC SPUR GEARS • MODULE 0.4

# SDP/SI

PHONE: 516.328.3300 • FAX: 516.326.8827 • WWW.SDP-SI.COM

ISO CLASS 9  
3 mm FACE WIDTH  
20° PRESSURE ANGLE



0 10

**QUALITY CLASS**



**> MATERIAL:**

**Gear** – Acetal  
**Insert** – Brass

**> SPECIFICATION:**

Gears under 80 teeth have no webs.

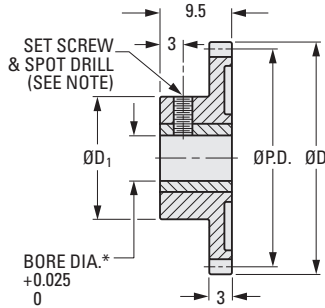
**METRIC COMPONENT CATALOG NUMBER**

**A 1 P 2 M Y D 0 4**

No. of Teeth Code

**\* BORE CODE**

- A** 3 mm Dia.
- B** 4 mm Dia.
- C** 5 mm Dia.
- D** 6 mm Dia.



No. of Teeth Code	No. of Teeth	P.D.	D Dia.	D <sub>1</sub> Hub Dia.
036	36	14.4	15.2	13
038	38	15.2	16	13
040	40	16	16.8	13
042	42	16.8	17.6	13
044	44	17.6	18.4	13
045	45	18	18.8	13
046	46	18.4	19.2	13
048	48	19.2	20	13
050	50	20	20.8	13
055	55	22	22.8	13
056	56	22.4	23.2	13
060	60	24	24.8	13
064	64	25.6	26.4	16
065	65	26	26.8	16
070	70	28	28.8	16
072	72	28.8	29.6	16
074	74	29.6	30.4	16
075	75	30	30.8	16
080	80	32	32.8	16

No. of Teeth Code	No. of Teeth	P.D.	D Dia.	D <sub>1</sub> Hub Dia.
084	84	33.6	34.4	16
085	85	34	34.8	16
088	88	35.2	36	16
090	90	36	36.8	16
092	92	36.8	37.6	16
095	95	38	38.8	19
096	96	38.4	39.2	19
100	100	40	40.8	19
108	108	43.2	44	19
110	110	44	44.8	19
112	112	44.8	45.6	19
120	120	48	48.8	19
127	127	50.8	51.6	19
128	128	51.2	52	19
130	130	52	52.8	19
144	144	57.6	58.4	19
152	152	60.8	61.6	19
160	160	64	64.8	19
168	168	67.2	68	19

**NOTE:** Gears with 3 mm & 4 mm bore have M2.5 set screw & spot drill.  
5 mm & 6 mm bore have M3 set screw & spot drill.